



Consumer and  
Corporate Affairs Canada

Consommation  
et Corporations Canada

Legal Metrology  
Branch

Direction de la  
Métrologie légale

Holland Avenue  
Ottawa, Ontario  
K1A 0C9

Avenue Holland  
Ottawa, Ontario  
K1A 0C9

Your file    *Voire référence*

Our file    *Notre référence*

G-44

Telephone: (613)952-0639

File N°: 06635  
Project: AP-GL-91-0020

1991-07-23

Mr. Rod Soviak  
Centra Gas (Manitoba) Inc.  
444 St. Mary Avenue  
Winnipeg, Manitoba  
R3C 3T7

Dear Mr. Soviak,

This is in response to your recent notification given in accordance with the Electricity and Gas Inspection Regulations, Section 13. It is noted that the meters listed in the appendix hereto are to be fitted with plastic index covers.

• See attached Appendix

I am advised by the Gas Metrology Laboratory that their evaluation of the proposed modifications indicates that they may be regarded as immaterial in relation to the approval provisions of the Act. Accordingly, your notification is acknowledged and the modifications are accepted as being included within the above-noted approval. All recipients of the approval notice are being informed by copy of this letter.

Yours truly,

W.R. Virtue, Chief  
Legal Metrology Laboratories

cc: Approvals Mailing List

Canada

APPENDIX

C.M.C.

<u>Approval Notice Number</u>	<u>Meter Type</u>	<u>Index Cover Model Number</u>
G-47	AL-175	A101
G-125	AL-225	"
G-5	AL-250	"
G-23	AL-425	"
S-GA.237/.251	AL-800	A103
G-29 SERIES	AL-1000	"
S-GA.258/.261	AL-1400	"
S-GA.235/.266	AL-2300	"
S-GA.230/.246	AL-5000	"
SD-GA.54/.60/.89	5B-225	A101

ROCKWELL

<u>Approval Notice Number</u>	<u>Meter Type</u>	<u>Index Cover Model Number</u>
SD-GA.30	RC-150	R-103, R-104
G-37	RC-175	"
G-53	RCS-175	"
SD-GA.105/.108/.158	RC-210	"
G-32	RC-225	"
G-117, AG-292	RC-230	"
SD-GA.70/.153	TYPE 250	"
SD-GA.73/.153	TYPE 310	"
G-153	RC-415	"
G-60	RC-750	R-105
G-94	RC-1000	"
G-138	RC-1600	"
G-145	RC-3000	"
G-101	RC-5000	"
G-98	TP-4, TP-9	"
G-33 SERIES	T-18, T-30, T-60, T-140	"

SPRAGUE

<u>Approval Notice Number</u>	<u>Meter Type</u>	<u>Index Cover Model Number</u>
G-43	SP175	S-105
G-43	SP240	"
G-43	SP250	"
G-44 (series)	SP400	"



Consumer and  
Corporate Affairs Canada

Consommation  
et Corporations Canada

Legal Metrology  
Branch

Direction de la  
Métrologie légale

Holland Avenue  
Ottawa, Ontario  
K1A 0C9

Avenue Holland  
Ottawa, Ontario  
K1A 0C9

Your file    Votre référence

Our file    Notre référence

Telephone: (613)952-0640

File N°: 06635  
Project: AP-GL-91-0021

Mr. Barry Goulah  
Consumer Gas Company Ltd.  
P.O. Box 650  
Scarborough, Ontario  
M1K 5E3

1991-07-31

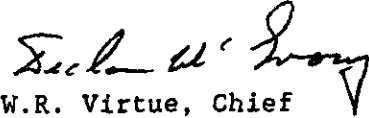
Dear Mr. Goulah,

This is in response to your recent notification given in accordance with the Electricity and Gas Inspection Regulations, Section 13, regarding devices approved under Notice of Approval G-23, G-32, G-37, G-43, G-44, G-47, G-117, G-125, G-133 and G-153. It is noted that these devices are to be modified as follows:

- See "Appendix".

I am advised by the Gas Metrology Laboratory that their evaluation of the proposed modifications indicates that they may be regarded as immaterial in relation to the approval provisions of the Act. Accordingly, your notification is acknowledged and the modifications are accepted as being included within the above-noted approval. All recipients of the approval notice are being informed by copy of this letter.

Yours truly,

  
W.R. Virtue, Chief  
Legal Metrology Laboratories

cc: Approvals Mailing List

Canada

APPENDIX

Parts specified herein may be used in the "rebuilding" of listed C.M.C., Rockwell, and Sprague meters:

<u>APPROVAL NUMBER</u>	<u>METER TYPE</u>	<u>PART DESCRIPTION / MANUFACTURER</u>	<u>PART NUMBER</u>
G-47	AL175	Short Flag Arm - Bently Co. (Toronto)	1090202
G-125	AL225(R)	Short Flag Arm - Bently Co. (Toronto)	1090202
	ALM225(R)	Short Flag Arm - Bently Co. (Toronto)	1090202
G-47	AL175	Valve Cover Back - Bently Co. (Toronto)	10-860-08
G-47	AL175	Valve Cover Front - Bently Co. (Toronto)	10-862-04-F
G-47	AL175	Gasket Material - Versatech (Toronto)	VCN-49
G-125	AL225(R)	Gasket Material - Versatech (Toronto)	VCN-49
	ALM225(R)	Gasket Material - Versatech (Toronto)	VCN-49
G-23	AL425	Gasket Material - Versatech (Toronto)	VCN-49
	ALM425	Gasket Material - Versatech (Toronto)	VCN-49
G-37	RC175	Gasket Material - Versatech (Toronto)	VCN-49
G-32	RC225	Gasket Material - Versatech (Toronto)	VCN-49
G-117	RC230	Gasket Material - Versatech (Toronto)	VCN-49
	RCM230	Gasket Material - Versatech (Toronto)	VCN-49
G-153	RC415	Gasket Material - Versatech (Toronto)	VCN-49
G-133	RCM415	Gasket Material - Versatech (Toronto)	VCN-49
G-43	175	Gasket Material - Versatech (Toronto)	VCN-49
	240	Gasket Material - Versatech (Toronto)	VCN-49
	240M	Gasket Material - Versatech (Toronto)	VCN-49
G-44	400M	Gasket Material - Versatech (Toronto)	VCN-49
G-47	AL175	Contractors Badge - C.W. Mack (Toronto)	55276P951
G-125	AL225(R)	Contractors Badge - C.W. Mack (Toronto)	55276P951
	ALM225(R)	Contractors Badge - C.W. Mack (Toronto)	55276P951
G-23	AL425	Contractors Badge - C.W. Mack (Toronto)	55276P951
	ALM425	Contractors Badge - C.W. Mack (Toronto)	55276P951
G-47	AL175	Capacity Badge (T/C) - C.W. Mack (Toronto)	49036P950
G-47	AL175	Plastic Index Cover - E.M.U. Plastics (Toronto)	39865P025
G-125	AL225(R)	Plastic Index Cover - E.M.U. Plastics (Toronto)	39865P025
	ALM225(R)	Plastic Index Cover - E.M.U. Plastics (Toronto)	39865P025
G-23	ALM425	Plastic Index Cover - E.M.U. Plastics (Toronto)	39865P025
G-47	AL175	Index Box Screw (Drilled) - Accurate Fasteners (Toronto)	10347P005
G-125	AL225(R)	Index Box Screw (Drilled) - Accurate Fasteners (Toronto)	10347P005
	ALM225(R)	Index Box Screw (Drilled) - Accurate Fasteners (Toronto)	10347P005
G-23	AL425	Index Box Screw (Drilled) - Accurate Fasteners (Toronto)	10347P005
	ALM425	Index Box Screw (Drilled) - Accurate Fasteners (Toronto)	10347P005

<u>APPROVAL NUMBER</u>	<u>METER TYPE</u>	<u>PART DESCRIPTION / MANUFACTURER</u>	<u>PART NUMBER</u>
G-37	RC175	Index Cover Screw -Accurate Fasteners (Toronto)	919657
G-32	RC225	Index Cover Screw -Accurate Fasteners (Toronto)	919657
G-117	RC230	Index Cover Screw -Accurate Fasteners (Toronto)	919657
	RCM230	Index Cover Screw -Accurate Fasteners (Toronto)	919657
G-153	RC415	Index Cover Screw -Accurate Fasteners (Toronto)	919657
G-133	RCM415	Index Cover Screw -Accurate Fasteners (Toronto)	919657
G-37	RC175	Index Box Screw - Accurate Fasteners (Toronto)	950326
G-32	RC225	Index Box Screw - Accurate Fasteners (Toronto)	950326
G-117	RC230	Index Box Screw - Accurate Fasteners (Toronto)	950326
	RCM230	Index Box Screw - Accurate Fasteners (Toronto)	950326
G-153	RC415	Index Box Screw - Accurate Fasteners (Toronto)	950326
G-133	RCM415	Index Box Screw - Accurate Fasteners (Toronto)	950326
G-37	RC175	Index Box Screw (Drilled) - Accurate Fasteners (Toronto)	0016005614
G-32	RC225	Index Box Screw (Drilled) - Accurate Fasteners (Toronto)	0016005614
G-117	RC230	Index Box Screw (Drilled) - Accurate Fasteners (Toronto)	0016005614
	RCM230	Index Box Screw (Drilled) - Accurate Fasteners (Toronto)	0016005614
G-153	RC415	Index Box Screw (Drilled) - Accurate Fasteners (Toronto)	0016005614
G-133	RCM415	Index Box Screw (Drilled) - Accurate Fasteners (Toronto)	0016005614
G-47	AL175	Index Box Screw (Drilled) - Accurate Fasteners (Toronto)	10347P027
G-125	AL225(R)	Index Box Screw (Drilled) - Accurate Fasteners (Toronto)	10347P027
	ALM225(R)	Index Box Screw (Drilled) - Accurate Fasteners (Toronto)	10347P027
G-23	AL425	Index Box Screw (Drilled) - Accurate Fasteners (Toronto)	10347P027
	ALM425	Index Box Screw (Drilled) - Accurate Fasteners (Toronto)	10347P027



**Industry Canada**  
Legal Metrology Branch

Holland Avenue  
Ottawa, Ontario  
K1A 0C8

Telephone: (813) 952-0635

**Industrie Canada**  
Direction de la métrologie légale

Avenue Holland  
Ottawa (Ontario)  
K1A 0C8

Téléphone: (813) 952-0635

Project: AP-GL-93-0061  
Date: 1994-03-22

Prior Gaskets Inc.  
P.O. Box 271063  
4874 Olson Drive  
Dallas, Texas, USA  
75227  
Attn.: Charlotte Murphy

Dear Mrs. Murphy,

This is in response to your recent notification given in accordance with the Electricity and Gas Inspection Regulations, Section 13, regarding devices approved under Notices of Approval G-23, G-43, G-44, G-117, G-125, G-133 and G-153. It is noted that these devices are to be modified as follows:

- Gaskets and plastic index covers, manufactured by Prior Gaskets Inc., Dallas, Texas, may be used in the meters approved under the above-listed notices of approval.

Note: The plastic index cover must be sealed to the top cover, using drilled-head screws and the wire/disc arrangement only.

I am advised by the Gas Laboratory that their evaluation of the proposed modifications indicates that they may be regarded as immaterial in relation to the approval provisions of the Act. Accordingly, your notification is acknowledged and the modifications are accepted as being included within the above-noted approval. All recipients of the approval notice are being informed by copy of this letter.

Yours truly,

H.L. Fraser, Chief  
Electricity and Gas

cc: Approvals Mailing List

**Canada**



Industry and Science / Industrie et Sciences  
Canada / Canada

Legal Metrology  
Branch

Direction de la  
métrologie légale

Holland Avenue  
Ottawa, Ontario  
K1A 0C9

Avenue Holland  
Ottawa (Ontario)  
K1A 0C9

Telephone: (613) 952-06..

Téléphone: (613) 952-06..

Projet: AP-GL-93-0061

Date: 1994-03-22

Prior Gaskets Inc.  
P.O. Box 271063  
4874 Olson Drive  
Dallas, Texas, USA  
75227  
Att.: Madame Charlotte Murphy

Madame,

Nous accusons réception de l'avis de modification que vous nous avez envoyé récemment conformément à l'article 13, du Règlement sur l'électricité et du gaz, au sujet des appareils approuvés en vertu des avis d'approbation G-23, G-43, G-44, G-117, G-125, G-133 et G-153. Il est à noter que ces appareils doivent être modifiés comme suit:

- Les garnitures et les fenêtres d'indicateurs en plastique, fabriquées par Prior Gaskets Inc. de Dallas au Texas, peuvent être employées dans les compteurs approuvés aux termes des avis d'approbation susmentionnée.

Nota: Les fenêtres d'indicateurs en plastique doivent être scellées au couvercle supérieur uniquement au moyen de vis à tête perforée et du fil et disque de plombage.

Après avoir étudié les modifications proposées, le Laboratoire de gaz me signale que ces modifications ne contreviennent en rien aux dispositions de la Loi. En conséquence, les modifications sont acceptées et intégrées de facto dans l'avis d'approbation susmentionné. Tous ceux qui ont reçu l'avis d'approbation sont avisés de cette décision par un copie de la présente lettre.

Je vous prie d'agréer mes salutations distinguées.

H.L. Fraser, Chef  
Electricité et gaz

cc: Liste d'envoi des approbations



Industry Canada  
Legal Metrology Branch

Industrie Canada  
Direction de la métrologie légale

Holland Avenue  
Ottawa, Ontario  
K1A 0C9

Avenue Holland  
Ottawa (Ontario)  
K1A 0C9

Telephone: (613) 952-0835

Téléphone: (613) 952-0835

Project: AP-GL-94-0006

Date: 1994-05-20

Consumers Gas Co.  
500 Consumers Road  
Willowdale, Ontario  
M2J 1P8  
Attn.: Herman Medeiros

Dear Mr. Medeiros,

This is in response to your recent notification given in accordance with the Electricity and Gas Inspection Regulations, Section 13, regarding devices approved under Notices of Approval G-23, G-32, G-37, G-43, G-44, G-47, G-117, G-125 and G-153. It is noted that these devices are to be modified as follows:

- By use of adhesive badges over the original badges on rebuilt meters only.

I am advised by the Gas Metrology Laboratory that their evaluation of the proposed modifications indicates that they may be regarded as immaterial in relation to the approval provisions of the Act. Accordingly, your notification is acknowledged and the modifications are accepted as being included within the above-noted approval. All recipients of the approval notice are being informed by copy of this letter.

Yours truly,

H.L. Fraser, Chief  
Electricity and Gas

cc: Approvals Mailing List

Canada





**Industry Canada**  
Legal Metrology Branch

**Industrie Canada**  
Direction de la métrologie légale

Holland Avenue  
Ottawa, Ontario  
K1A 0G9

Avenue Holland  
Ottawa (Ontario)  
K1A 0G9

Telephone: (613) 952-0635

Téléphone: (613) 952-0635

Project: AP-GL-94-0007  
Date: 1994-07-18

Argus Industrial Supply  
154 Park Lane Avenue  
Winnipeg, Manitoba  
R2R 0K2  
Attn.: Mr. Ross Roy

Dear Mr. Roy,

This is in response to your recent notification given in accordance with the Electricity and Gas Inspection Regulations, Section 13, regarding devices approved under:

Notice of Approvals:

G-23	G-44	G-99	G-127	G-153	S-GA-262
G-29	G-47	G-101	G-128	G-173	S-GA-302
G-32	G-60	G-117	G-133	G-198	SD-GA-30
G-37	G-86	G-125	G-138	AG-0292	SD-GA-108
G-43	G-94	G-126	G-145	AG-0311	SD-GA-148
				S-GA-247	SD-GA-153

Index covers called "lexan box assemblies" model: A-101, A-102, A-103; R-103, R-104, R-105, and R109; S-104, S-105, S-106, S-107 and its associated "Snap Seal" manufactured by Carolina Mouldings Inc. may be used in the meters approved under the above listed Notices of Approval.

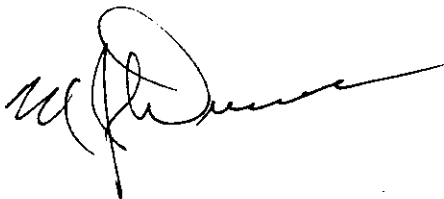
Use of the above mentioned devices is also subject to the following conditions:

- (1) To facilitate verification, U.S. patent number "4621230" or the initials "CMI" shall be stamped on each index cover and shall be visible when the index cover is installed;

- (2) In the case where snap seals are used exclusively in sealing a meter, at least one seal, marked with the seal year and the meter verifier's identification, shall be applied to the point of access to the meter's adjustments.

I am advised by the Gas Metrology Laboratory that their evaluation of the proposed modifications indicates that they do not adversely affect the performance of the meter. Accordingly, your notification is acknowledged and the modifications are accepted as being included within the above-noted approval. All recipients of the approval notice are being informed by copy of this letter.

Yours truly,



*for* H.L. Fraser, Director  
Electricity and Gas

cc: Approvals Mailing List



Industry Canada  
Legal Metrology Branch

Industrie Canada  
Direction de la métrologie légale

Holland Avenue  
Ottawa, Ontario  
K1A 0C8

Avenue Holland  
Ottawa (Ontario)  
K1A 0C8

Telephone: (813) 952-0835

Téléphone: (813) 952-0835

Projet: AP-GL-94-0007

Date: 1994-07-18

Argus Industrial Supply  
154 Park Lane Avenue  
Winnipeg, Manitoba  
R2R 0K2  
Att.: M. Ross Roy

Monsieur,

Nous accusons réception de l'avis de modification que vous nous avez envoyé récemment conformément à l'article 13 du Règlement sur l'inspection de l'électricité et du gaz, au sujet des appareils approuvés en vertu des avis d'approbation suivants:

Avis d'approbation:

G-23	G-44	G-99	G-127	G-153	S-GA-262
G-29	G-47	G-101	G-128	G-173	S-GA-302
G-32	G-60	G-117	G-133	G-198	SD-GA-30
G-37	G-86	G-125	G-138	AG-0292	SD-GA-108
G-43	G-94	G-126	G-145	AG-0311	SD-GA-148
				S-GA-247	SD-GA-153

Les couvercles pour indicateurs désignés "boîtes lexan", modèles A-101, A-102, A-103, R-103, R-104, R-105, et R109, S-104, S-105, S-106, S-107 et les scellés emboîtables connexes de Carolina Mouldings Inc. peuvent être utilisés sur les compteurs visés par les avis d'approbation susmentionnés.

L'utilisation de ces dispositifs est également assujettie aux conditions suivantes :

- (1) Pour faciliter la vérification, le numéro de brevet É-U "4621230" ou les initiales "CMI" doivent être estampés sur chaque couvercle d'indicateur et doivent être visibles lorsque le couvercle est installé;
- (2) dans les cas où les scellés emboîtables sont utilisés exclusivement pour sceller un compteur, au moins un scellé, marqué de l'année de fabrication et de l'identification du vérificateur du compteur, doit être appliqué au point d'accès aux organes de réglage du compteur.

Après avoir étudié les modifications proposées, le Laboratoire du gaz (métrologie) me signale que ces modifications ne nuisent pas au rendement du compteur. En conséquence, les modifications sont acceptées et intégrées de facto dans les avis d'approbation susmentionnés. Tous ceux qui ont reçu l'avis d'approbation sont avisés de cette décision par une copie de la présente lettre.

Je vous prie d'agréer mes salutations distinguées.



H.L. Fraser, Directeur  
Électricité et gaz

cc: Liste d'envoi des approbations



**Industry Canada**  
Legal Metrology Branch

**Industrie Canada**  
Direction de la métrologie légale

Holland Avenue  
Ottawa, Ontario  
K1A 0C8

Avenue Holland  
Ottawa (Ontario)  
K1A 0C8

Telephone: (813) 952-0639

Téléphone: (813) 952-0639

**Project: AP-GL-94-0039**

**Date: 1994-12-19**

**Alcana Instrumentation and Controls Corporation**  
Bay #6, 4451 61st Ave. S.E.  
Calgary, Alberta  
T2C 1Z6  
Attn.: Mr. Len Miller

Dear Mr. Miller:

This is in response to your recent notification given in accordance with the Electricity and Gas Inspection Regulations, Section 13, regarding devices approved under Notice of Approvals G43 Rev. 1 to 6, G44 Rev. 1 to 10, and AG-0298. It is noted that these devices are to be modified as follows:

- Sprague/Schlumberger meters, types 240, 400, 400A, 675 and 1000 may have a pressure tap hole located on the top cover, right front side for the purpose of meter pressure measurement required when converting metered volumes to base (standard) pressure conditions. This pressure tap will consist of a Petes plug type fitting.

I am advised by the Electrical Metrology Laboratory that their evaluation of the proposed modifications indicates that they do not adversely affect the performance of the meter. Accordingly, your notification is acknowledged and the modifications are accepted as being included within the above-noted approval. All recipients of the approval notice are being informed by copy of this letter.

Yours truly,

H.L. Fraser, Director  
Electricity and Gas

cc: Approvals Mailing List

**Canada**



**Industry Canada**  
Legal Metrology Branch

**Industrie Canada**  
Direction de la métrologie légale

Holland Avenue  
Ottawa, Ontario  
K1A 0C8

Avenue Holland  
Ottawa (Ontario)  
K1A 0C8

Telephone: (613) 952-0835

Téléphone: (613) 952-0835

Projet: AP-GL-94-0039

Date: 1994-12-19

**Alcana Instrumentation and Controls Corporation**  
Bay #6, 4451 61st Ave. S.E.  
Calgary, Alberta  
T2C 1Z6  
Att.: M. Len Miller

Monsieur,

Nous accusons réception de l'avis de modification que vous nous avez envoyé récemment conformément à l'article 13, du Règlement sur l'inspection de l'électricité et du gaz, au sujet des appareils approuvés en vertu des avis d'approbation G43 Rév. 1 à 6, G44 Rév. 1 à 10 et AG-0298. Il est à noter que ces appareils doivent être modifiés comme suit:

- Les compteurs Sprague/Schlumberger, des types 240, 400, 400A, 675 et 1000, peuvent être équipés d'une prise de pression sur le côté avant droit du couvercle du dessus de façon que la pression du compteur puisse être déterminée lorsque les volumes mesurés sont ramenés aux conditions de pression de base (normalisées). Cette prise de pression consiste en un raccord à bouchon de type Petes.

Après avoir étudié la modification proposée, le Laboratoire de l'électricité (métrologie) me signale que cette modification ne nuit pas au rendement du compteur. En conséquence, la modification est acceptée et intégrée de facto dans les avis d'approbation susmentionnés. Tous ceux qui ont reçu l'avis d'approbation sont avisés de cette décision par une copie de la présente lettre.

Je vous prie d'agréer mes salutations distinguées.

H.L. Fraser, Directeur  
Électricité et gaz

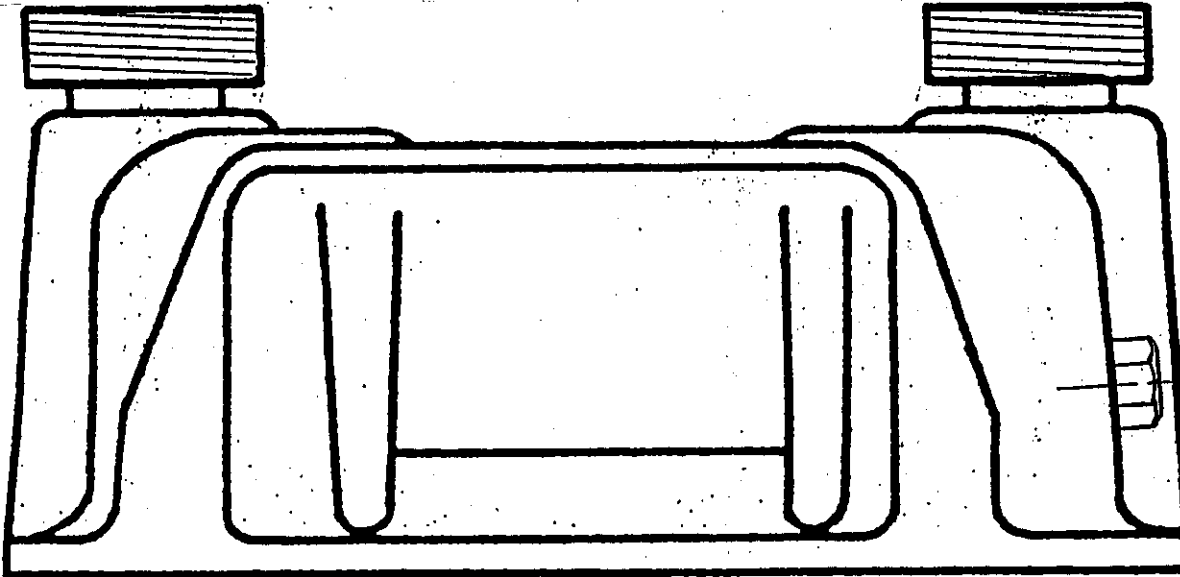
**Canada** envoi des approbations



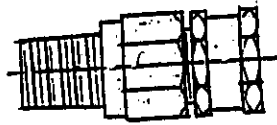
# ALCANA

## INSTRUMENTATION AND CONTROLS CORPORATION

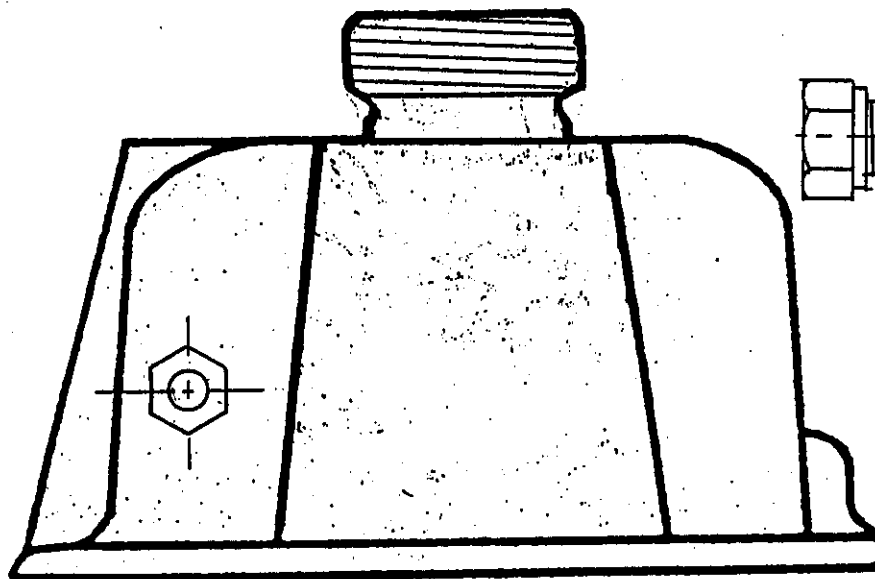
BAY 6, 4451 - 61st AVE. S.E., CALGARY, ALBERTA T2C 1Z6  
PHONE: (403) 279-2344 • FAX & ANSWERING SYSTEM: 279-4122



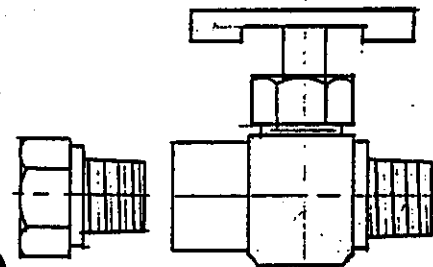
**FRONT VIEW**



**PETE'S PLUG  
OR  
NEEDLE VALVE**



**SIDE VIEW**



**OPTIONAL  
OUTLET**

**METER PRESSURE TAP**



**Industry Canada**  
Legal Metrology Branch

**Industrie Canada**  
Direction de la métrologie légale

Holland Avenue  
Ottawa, Ontario  
K1A 0C9

Avenue Holland  
Ottawa (Ontario)  
K1A 0C9

Telephone: (613) 952-0635

Téléphone: (613) 952-0635

**Project: AP-GL-94-0046**  
**Date: 1995-02-05**

**Carolina Moldings**  
**P.O. Box 35273**  
**Charlotte, North Carolina**  
**USA 28235**  
**Attn.: Mr. Jack Crouch Jr.**

**Dear Mr. Crouch,**

**This is in response to your recent notification given in accordance with the Electricity and Gas Inspection Regulations, Section 13, regarding devices approved under Notice of Approval:**

G-23	G-29	G-32	G-37	G-43	G-44
G-47	G-60	G-86	G-94	G-99	G-101
G-117	G-125	G-126	G-127	G-128	G-133
G-138	G-145	G-153	G-173	G-198	AG-0292
AG-0311	S-GA-247	S-GA-262	S-GA-302	SD-GA-30	
SD-GA-108	SD-GA-148	SD-GA-153			


**It is noted that these devices are to be modified as follows:**

**Index covers called "lexan box assemblies" model: A-101, A-102, A-103; R-103, R-104, R-105, and R-109; S-104, S-105, S-106, S-107 and its associated "Snap Seal" manufactured by Carolina Mouldings Inc. can incorporate a silicone gasket material and may be used in the meters approved under the above listed Notices of Approval.**

**Use of the above mentioned devices is also subject to the following conditions:**

- **The GE silicone gasket material identified as RTV 5818 translucent, is a fast cure paste which will be robotically applied to the lexan box assemblies.**

**I am advised by the Gas Metrology Laboratory that their evaluation of the proposed modifications indicates that they do not adversely affect the performance of the meter. Accordingly, your notification is acknowledged and the modifications are accepted as being included within the above-noted approvals. All recipients of the approval notice are being informed by copy of this letter.**

**Yours truly,**  
  
**H.L. Fraser, Director**  
**Electricity and Gas**

**cc: Approvals Mailing List**

**Canada**





**Industry Canada**  
Legal Metrology Branch

**Industrie Canada**  
Direction de la métrologie légale

Holland Avenue  
Ottawa, Ontario  
K1A 0C9

Avenue Holland  
Ottawa (Ontario)  
K1A 0C9

Telephone: (813) 952-0835

Téléphone: (813) 952-0835

Projet: AP-GL-94-0046

Date: 1995-02-05

**Carolina Moldings**  
P.O. Box 35273  
Charlotte, North Carolina  
USA 28235  
Att.: M. Jack Crouch Jr.

Monsieur,

Nous accusons réception de l'avis de modification que vous nous avez envoyé récemment conformément à l'article 13, du Règlement sur l'inspection de l'électricité et du gaz, au sujet des appareils approuvés en vertu des avis d'approbation suivants:

G-23	G-29	G-32	G-37	G-43	G-44
G-47	G-60	G-86	G-94	G-99	G-101
G-117	G-125	G-126	G-127	G-128	G-133
G-138	G-145	G-153	G-173	G-198	AG-0292
AG-0311	S-GA-247	S-GA-262	S-GA-302	SD-GA-30	
SD-GA-108	SD-GA-148	SD-GA-153			

Nous prenons note que ces appareils doivent faire l'objet des modifications décrites ci-dessous.

Les couvercles d'index ou boîtes lexan (modèles A-101, A-102, A-103, R-103, R-104, R-105, R-109, S-104, S-106 et S-107) et leur dispositif de scellement sous pression, fabriqués par Carolina Moldings Inc., peuvent comprendre une garniture en silicone et peuvent être employés dans les compteurs approuvés aux termes des avis énumérés plus haut.

L'utilisation des appareils susmentionnés est également assujettie aux conditions suivantes:

- la garniture en silicone GE identifiée comme étant le produit translucide RTV 5818 est une pâte à durcissement rapide qui sera appliquée par un robot à la boîte lexan.

Après avoir étudié les modifications proposées, le Laboratoire de gaz (métrologie) me signale que ces modifications ne nuisent pas au rendement du compteur. En conséquence, les modifications sont acceptées et intégrées de facto dans l'avis d'approbation susmentionné. Tous ceux qui ont reçu l'avis d'approbation sont avisés de cette décision par une copie de la présente lettre.

Je vous prie d'agréer mes salutations distinguées.

H.L. Fraser, Directeur  
Électricité et gaz

**Canada**

cc: Liste d'envoi des approbations