



DEPARTMENT OF TRADE AND COMMERCE
STANDARDS BRANCH

T-19

OTTAWA September 20, 1966.

NOTICE OF APPROVAL

FOR

FERRANTI-PACKARD TYPES "PU5", "RU5", "PU8.7", "RU8.7", "PU15", "RU15",
"PU25" AND "RU25" CURRENT TRANSFORMERS

Apparatus

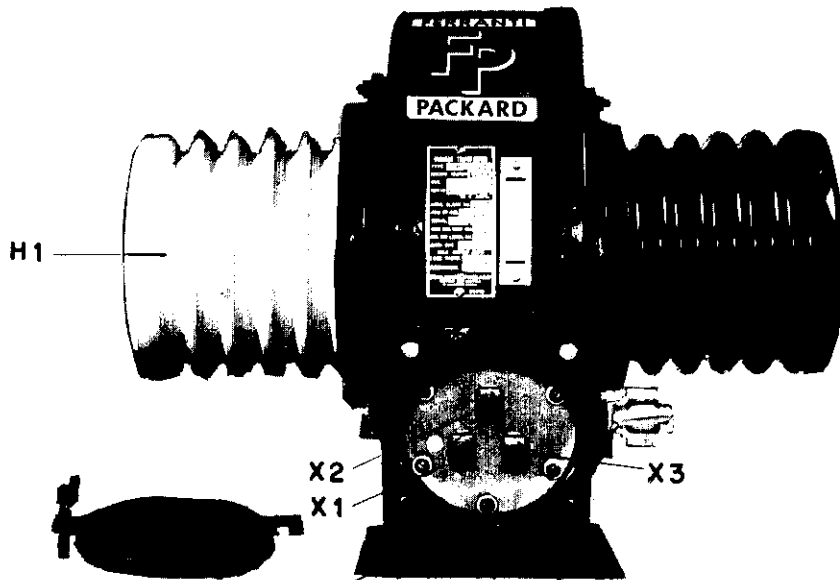
Primary Currents	
Single Ratio	1000, 1200, 1500, 2000, 2500, 3000, 4000 & 5000 amperes
Dual Ratio	500/1000, 600/1200, 750/1500, 1000/2000, 1250/2500, 1500/3000, 2000/4000, & 2500/5000 amperes
Secondary Current	5 amperes
Voltage Rating	Appears in type designation, e.g. RU8.7 - 8.7Kv
Accuracy Class <u>60Hz</u>	
1200 to 5000 amperes incl.	0.3B0.1, B0.2, B0.5*, B0.9*, B(2 x 0.9), B1.0, B2.0
1000 amperes	0.3B0.1, B0.2, B0.5*, B0.9*, B(2 x 0.9), B1.0, B2.0#
500 & 600 amperes	0.3B0.1, B0.2, B0.5*, B0.9*, B1.0; 0.6B(2 x 0.9), B2.0
Accuracy Class <u>25Hz</u>	
3000 to 5000 amperes incl.	0.3B0.1, B0.2, B0.5, B0.9, B(2 x 0.9), B1.0, B2.0
2000 & 2500 amperes	0.3B0.1, B0.2, B0.5, B0.9, B(2 x 0.9), B1.0; 0.6B2.0
500 to 1500 amperes incl.	0.3B0.1, B0.2, B0.5; 0.6B0.9, B(2 x 0.9), B1.0, B2.0
Frequency	60 Hz and 25 Hz as above
Style	Outdoor bushing or Ring Type, Compound Filled
Rating Factor (R.F.)	1.33 if marked, 1.0 if not marked

* 0.3B0.5 or 0.3B0.9 may be marked on the nameplate.
The accuracy associated with any primary current rating applies either for a single ratio or part of a dual ratio unit.

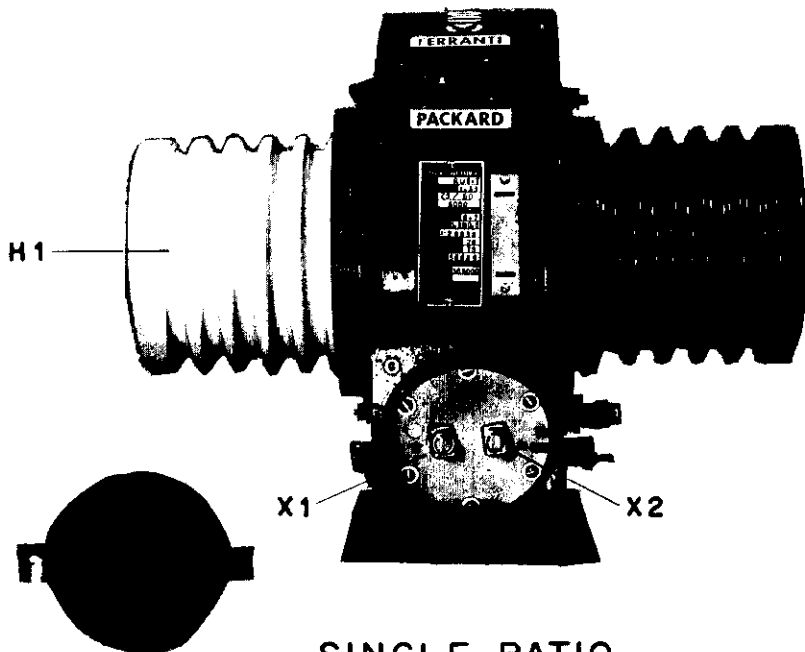
Units with serial numbers prior to 2-29000 have an accuracy of 0.6B2.0.

Description

The current transformer unit in these assemblies is of the bushing or ring type, and the same unit is used for all voltage classes and both through type "RU" and bar type "PU". The core is wound from a continuous strip of grain-oriented steel and the secondary winding is toroidal and is wound directly over the core insulation.



DUAL RATIO



SINGLE RATIO

2.

The major insulation HV to LV and ground is the porcelain bushing which varies in length according to the voltage rating. One of the porcelain bushings is white to indicate the primary polarity.

The secondary leads are brought to terminals in a terminal box at the side of the transformers. Single ratio units have two terminals marked X1 and X2, and dual ratio units have three terminals marked X1, X2, and X3. In the latter case X2 denotes the tap and the lower ratio and X3 the full winding.

In all cases a white dot adjacent to X1 denotes polarity.

No shorting links are provided.

This circular supersedes circulars SD-EA.338, SD-EA.398, S-EA.476 and includes dual ratio units.

Approval granted to: Ferranti-Packard Electric Limited,
St. Catharines,
Ontario.



W.J.S. Fraser,
Chief, Standards Laboratory,
Standards Branch.



K. Cryer,
Chief, Electricity & Gas Division,
Standards Branch.

Ref. SL-100-983S