



CANADA

DEPARTMENT OF TRADE AND COMMERCE  
STANDARDS DIVISION

SD.EA.17

OTTAWA, May 22, 1950.  
(Superseding Circular Letter SD-EC.62,  
dated January 6, 1950)

NOTIFICATION OF TYPE APPROVAL

The apparatus specified and illustrated herein has been duly approved by the Standards Division under the provisions of The Electricity Inspection Act, Chapter 22, 1928, and may be admitted to verification in Canada.

Apparatus Approved: Type "JKM-3" Current Transformer, manufactured by the General Electric Company, Schenectady, N.Y., U.S.A., and sold in Canada by the Canadian General Electric Company, Limited, Toronto, Ontario.

Rating of Apparatus: 10 amperes to 800 amperes primary current, 5000 volts, 25 and 60 cycles.

Description: These transformers are equivalent to the Canadian General Electric type "WF-1A" transformers, manufactured in Canada and already approved under Circular N.R.C.55 of September 20, 1934.

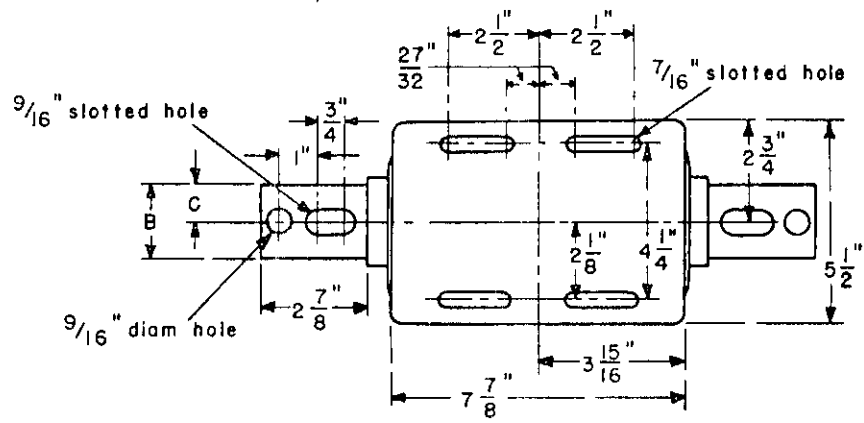
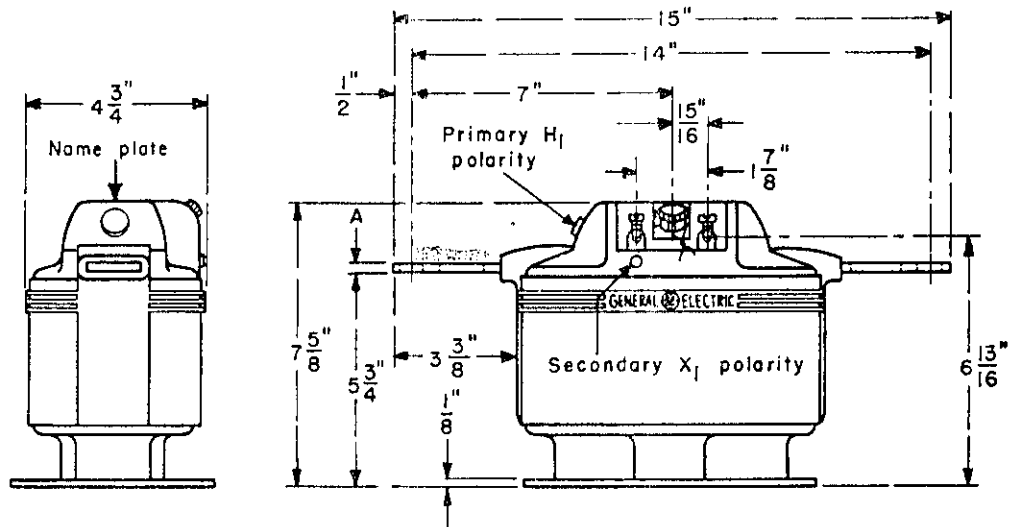
*E. F. Power*

E. F. Power,  
Assistant Director (E.&G.),  
Standards Division.

*E. W. MacLean*

E. W. MacLean,  
Director,  
Standards Division.

DIMENSIONS OF GENERAL ELECTRIC  
TYPE "JKM-3" CURRENT TRANSFORMER



Amp. Rating	A	B	C
10-150	3/4 in.	1 1/2 in.	3/4 in.
200-400	1/4	2	1
600-800	3/4	2	1