



Consumer and  
Corporate Affairs

Consommation et  
corporations

Legal Metrology/Métrieologie légale

D McEWY

SHORT VERSION-VERSION ABREGEE

**NOTICE OF APPROVAL  
AVIS D'APPROBATION**

S.WA-3019

Ottawa, December 18, 1980

TOKYO ELECTRIC MODEL SL55-30L (SERIES SL-55)

Company Requesting Approval: Tokyo Electric Canada Ltd.  
9 Meteor Drive  
Rexdale, Ontario

Manufactured By: Tokyo Electric Company  
1-14-10 Vchikana  
Chiyoda-Ko, Tokyo, Japan

Type of Device: These are digital electronic self-indicating price  
computing counter scales.

<u>MODEL NUMBERS</u>	<u>CAPACITY</u>	<u>LOAD CELL TYPE AND MODEL NUMBER</u>
(a) SL55-30L	(a) 30 x .01 lb.	Aluminum LC-25
(b) SL55-15	(b) 15 x .005 kg.	DAOE 1016

Approved Accessories: These scales can be interfaced with the approved  
TEC HP-8 printer.

Application: For use in trade as a counter scale.

Device Description: These are fully electronic load cell scales that  
use a micro-processor system to compute weight, price per lb (kg),  
price per 1/2 and 1/4 lb. and with kg mode - 100g. There are two  
display panels, one for the customer and the other for the operator,  
both have gas discharge indicators to indicate modes of operations,  
i.e., weight, error, zero, tare and department. These scales can be  
interfaced with the TEC HP-8 printer.

The operator controls for these scale are as  
follows:

- A) on the left hand side of the scale there are 24 numbered buttons,  
these are for PLU's and they can have unit prices pre-set as  
follows:
  - 1) set transaction key control to the "SET" position;
  - 2) Press the PLU key, then key in the unit price using the  
numeric keyboard;

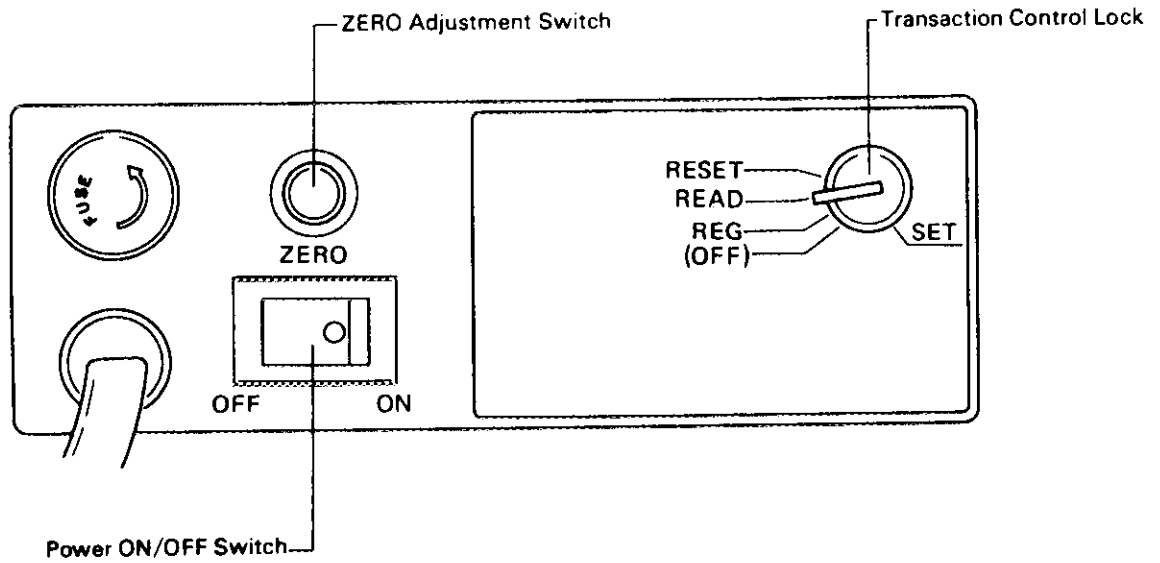
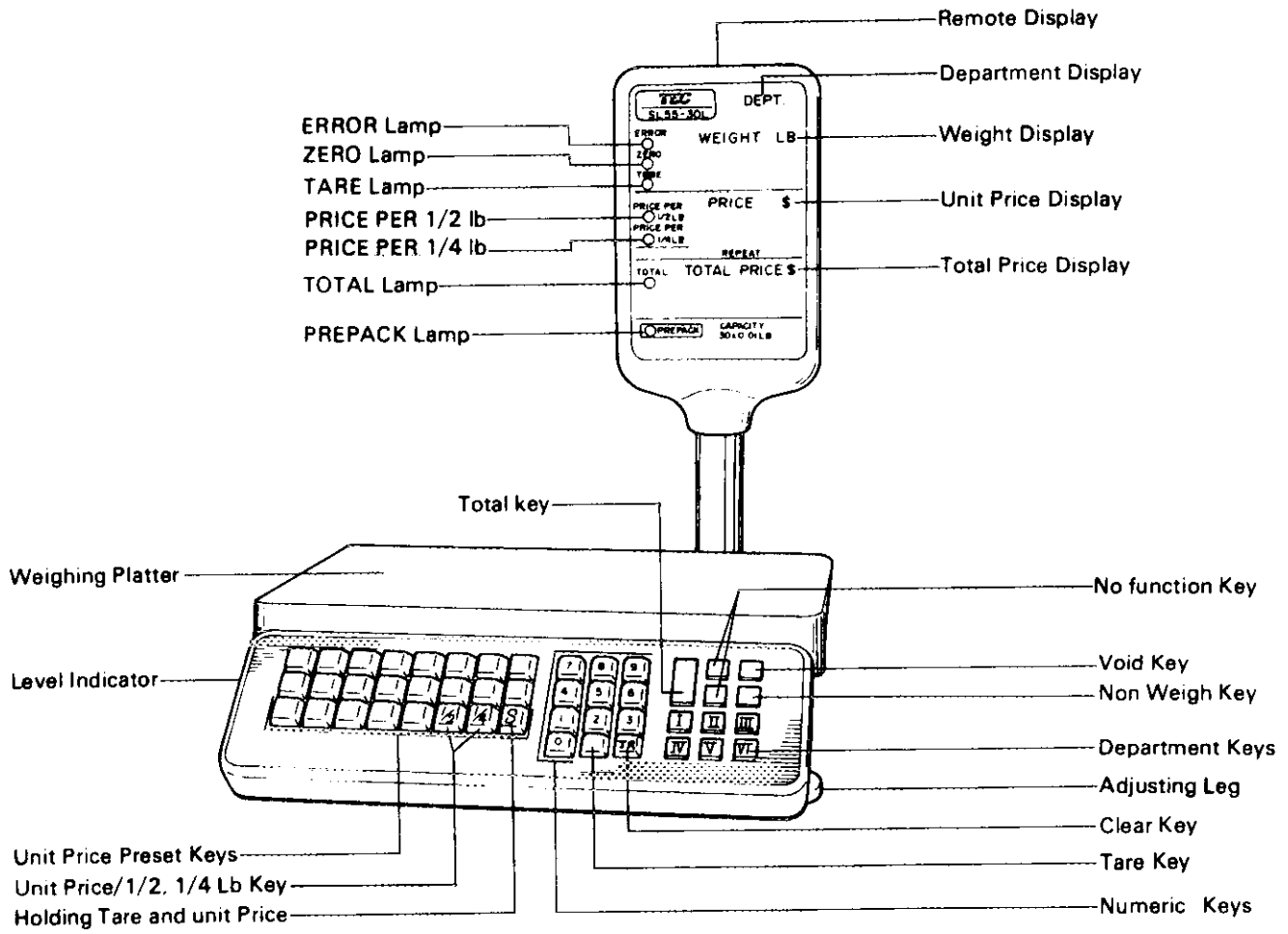


FIGURE 1

Device Description:

a)3) Cont'd

Re-set the transaction key control to "REG" position.

- b) On the lower R.H. side of the PLU buttons there are three buttons for:
- 1) unit price by 1/2 lb.
  - 2) unit price by 1/4 lb.
  - 3) a button marked "S" to lock in tare and unit price for pre-packaging.
- c) In the centre of the scale there is a block of buttons with the following functions:
- 1) numbers from 0-9; for setting unit prices and keyboard tare.
  - 2) a "TR" key for entering platter or keyboard tare.
  - 3) a "clear" key for erasing erroneous entries or to return the scale from the pre-pak mode
- note: a tare entry can only be cleared by the removal of a gross weight.
- d) On the right hand side there is a block of keys with the following functions:
- 1) there are 6 department keys numbered from I to VI, when these keys are pressed the displayed weight and total price are committed to a memory storage and if a printer is connected will cause a printed ticket to be issued.
  - 2) a "VOID" button that can be used to void the previous transaction from the memory. It is operated as follows; with display still registering last transaction; press the same dept key; then the "VOID" key if the void has been accepted two flat bars will appear in the unit price display to the right of the decimal point.  
NOTE: Void key will only operate with a weight on the platter.
  - 3) a "Non Weight" key that can be used as follows:
    - i) press non-weight key then key in a unit price, key a department and a label will be issued with a 1 in the unit price position of the label and a total price, there will not be any weight printed on the ticket.
    - ii) it is possible to use the non-weight key to total a number of identical priced items to a quantity of 9 and issue a label if a printer is used.

Device Description:

d) 3) cont'd

This is accomplished as follows: press the non-weight key, enter the unit price, if more than one to be added, press the non-weight button for each item, each time the button is pressed the unit price display will indicate the number of articles and the total price will reflect the original unit price multiplied by the number of times the non-weight button has been activated and as indicated in the unit price display, this can be done up to a maximum of 9 times. The dept key can then be pressed and if connected to a printer a label will be issued showing the total price and the number of articles.

To return to scale operation press the clear button three times.

- 4) A "Total" key that is used, when the transaction control is in the READ or PRESET position, to read accumulated totals from the memory for the 6 departments.

e) On the left side of the scale the following controls are found:

- a) a zero adjustment switch that is recessed into the scale.
- b) an OFF/ON switch.

c) a transaction control keylock switch with the following selections:

- 1) RESET - used to reset departmental totals;
- 2) READ - used with the total key to obtain departmental totals. In this mode pressing the total key then the department key will cause the following information to be displayed:

- Weight display - total of all weight
- unit price - number of transactions
- total price - total dollar value of all transactions

- 3) REG - position for regular operation
- 4) SET - use this position to pre-set the PLU unit prices
- 5) OFF

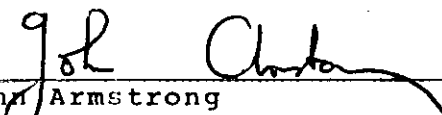
TESTING: The displays can be verified with the "ON/OFF" switch, when switched on the 18 LEDs will light; the indicator will cycle through a comply display i.e. 1 to 9, and then indicate 0.00 (0.000 in the metric mode).

Provision for sealing: The span and coarse adjustments are located on the upper left hand side of the scale which will be sealed independently with drilled head screw, lead seal and wire or tamper proof paper seal.

Special Conditions: The devices are exempt from SGMI/12.

APPROVAL is granted under the Weights and Measures Act, S.C.1970-71-72, chapter 36, and the Weights and Measures Regulations C.R.C.c., 1605 for use in Canada under the general conditions of the said Regulations, and under any special conditions listed above.

Reference No.: <sup>AMS</sup> G6922-T280

  
\_\_\_\_\_  
John Armstrong  
Chief  
Weights and Measures Division  
Legal Metrology Branch