



**NOTICE OF APPROVAL
AVIS D'APPROBATION**

S.WA-907

Ottawa, November 5, 1975

HOWE RICHARDSON LIVESTOCK SCALES

Manufacturer: Howe Richardson Scale Co. of Canada Ltd.
Pointe Claire, Quebec

Apparatus: Livestock Scales -

<u>Model No.</u>	<u>Max. Capacity</u>	<u>Platform Size</u>
350	10 tons	18 ft. x 8 ft.
1270	5 tons	14 ft. x 8 ft.

These scales may be equipped with any of the following types of Howe Richardson indicating equipment -

- Full Capacity Beam
- Type Registering Beam
- Cabinet Dial Head, Models 31000, 31000S, 32000
- Electronic Indicator, Models DS-300, DIP1071, with strain gauge load cell.

Rating: Maximum capacities are as listed above.

Application: The weighing of livestock in trade.

Description: These scales are equipped with two T-shaped load levers of fabricated steel construction. Load bearings are ball and socket type. Any of a variety of indicator types may be installed as listed above.

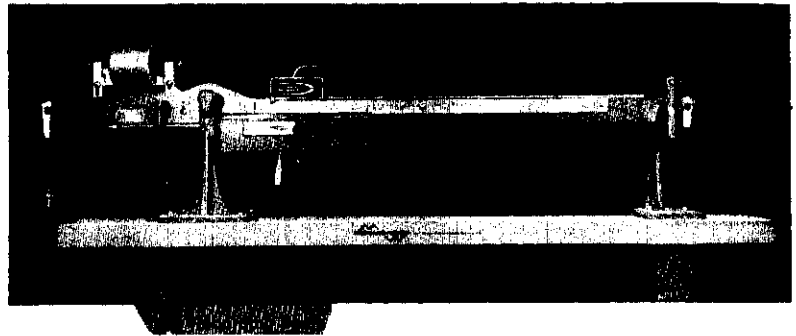
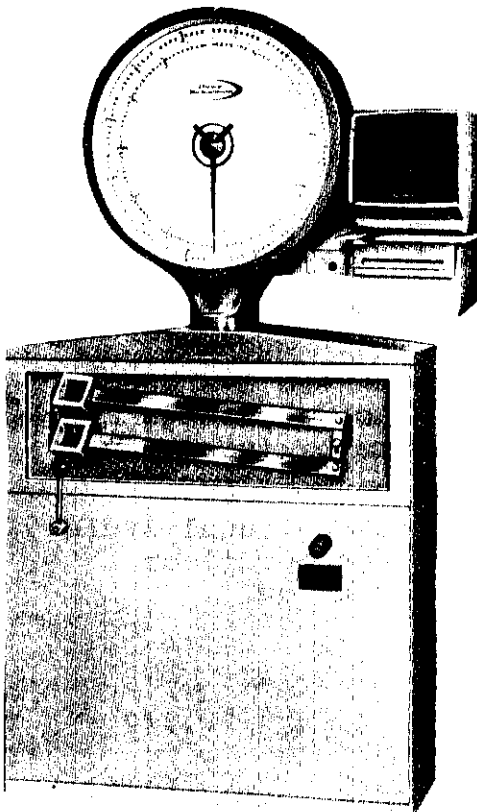
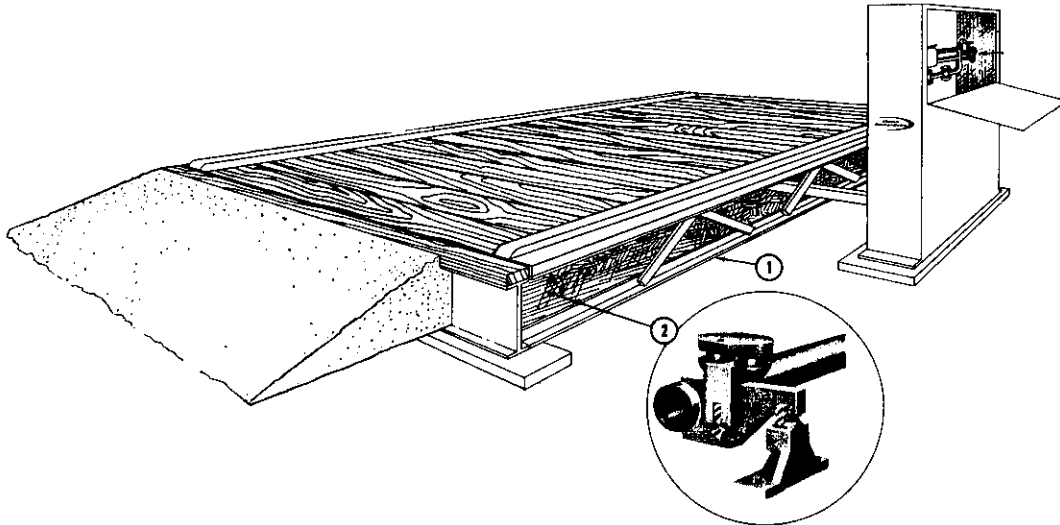
Scales may be furnished in conventional style for pit installation or may be self contained type for floor mounting. Platforms are normally of wood construction.

.../2

S.WA-907

November 5, 1975

HOWE RICHARDSON LIVESTOCK SCALES



Model DIP 1071

