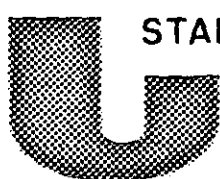


Department of consumer and corporate affairs / Ministère de la consommation et des corporations



STANDARDS BRANCH - DIRECTION DES NORMES

# NOTICE OF APPROVAL

S.WA-771

OTTAWA February 9th, 1970.

Approved: HOWE RICHARDSON SELF-CONTAINED FLOOR SCALES-SUSPENSION BEARING TYPE

manufactured by Robert Morse Corporation Ltd., 8250 Fraser St., Vancouver, B.C. and Dominion Industrial Bldg., Ville St. Pierre, Quebec.

Apparatus Listed: Self Contained Floor Scales, either totally enclosed or with semi-frame for built-in installation -

<u>Standard Scales</u>		<u>Basic Model Numbers</u>		<u>Platform</u>
<u>Enclosed</u>	<u>Semi-Frame</u>	<u>Enclosed</u>	<u>Semi-Frame</u>	<u>Size - In.</u>
2410	2810	2510	2910	46 x 38
2411	2811	2511	2911	48 x 48
2412	2812	2512	2912	60 x 48
2413	2813	2513	2913	72 x 48
2414	2814	2514	2914	76 x 54

Scales with platform sizes other than as listed above use the nearest basic model number prefixed with letters SPC to denote a special.

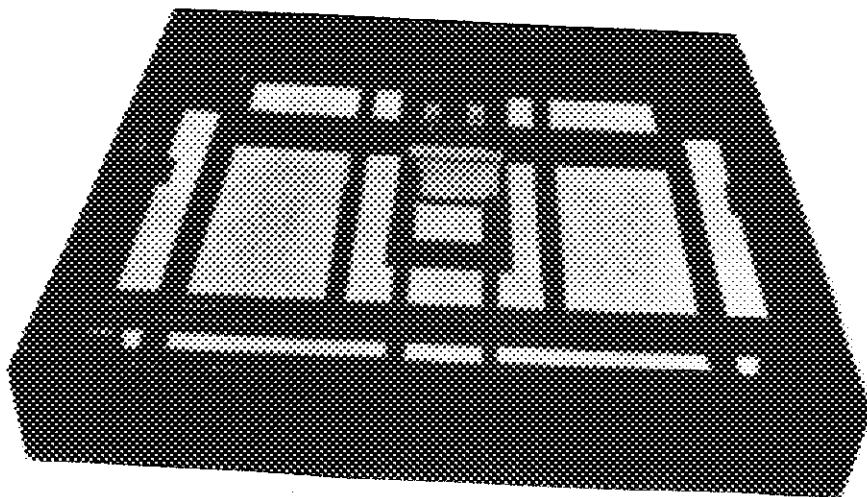
The indicator, the printer, or other auxiliary equipment may be identified as to model or type by means of a suffix to the basic scale model number.

Scales may be equipped with any of the following types of Howe Richardson indicators and auxiliary equipment:-

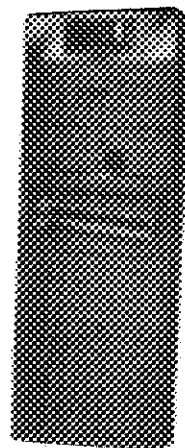
- Double pendulum cabinet dial with analog indication - Magna-Weigh Model Series 32000, 31000 and 31000-E4A.
- Double pendulum mechanism, cabinet type, with projected digital indication - Magna-View Model Series 36000, 37000 and 37000-E4A.
- Single pendulum mechanism with projected digital indication - Magna-View Model Series 34000.

HOWE RICHARDSON SELF-CONTAINED FLOOR SCALES-SUSPENSION BEARING TYPE

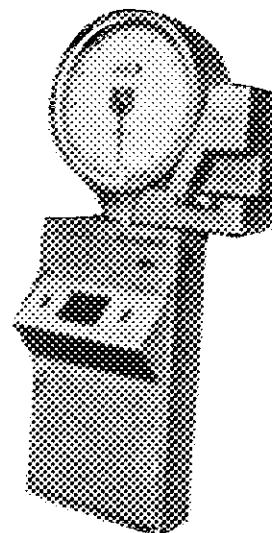
S.WA-771



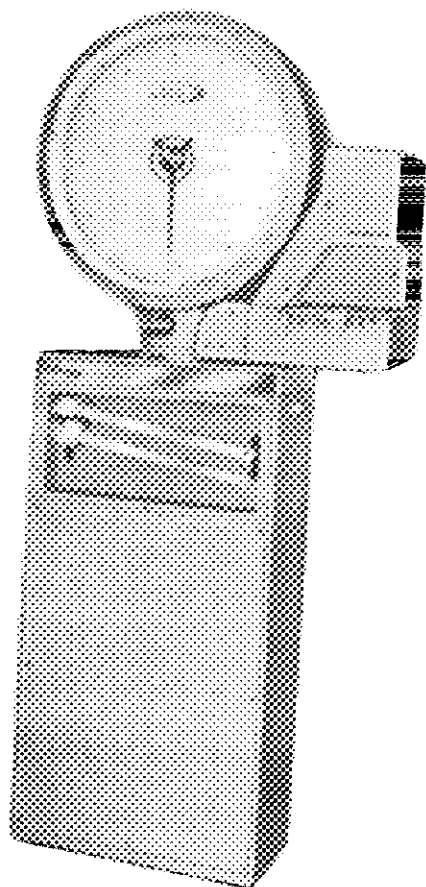
ENCLOSED UNDERSTRUCTURE



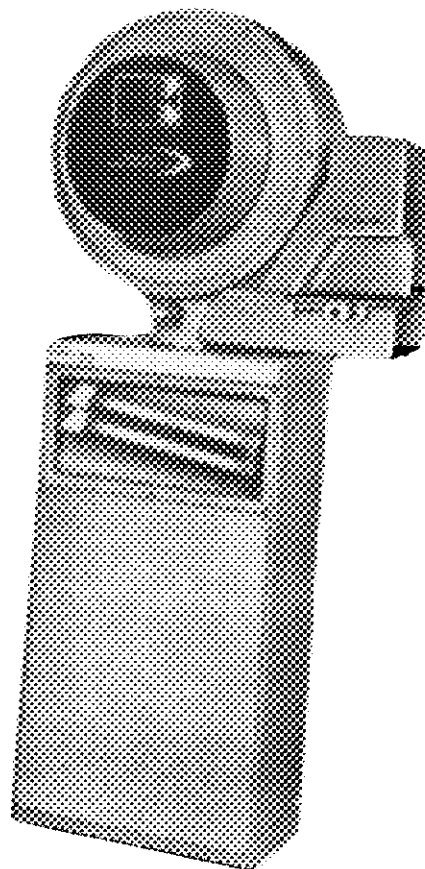
MAGNA-VIEW  
34000



MAGNA-TRONIC  
7700-0



MAGNA-WEIGH 32000



MAGNA-VIEW 36000

- Electronic dial indicator, analog type, in conjunction with strain gauge load cell - Magna-Tronic Model Series 7700.
- Electronic dial indicator, with projected digital indication in conjunction with strain gauge load cell, Vu-Tronic Model Series 7800.
- Unit Weights, applied either manually or automatically (Range-O-Matic).
- Tare beams - on Magna-Weigh and Magna-View models.
- Full Capacity and Type Recording Beams.
- Single pendulum digital indicator for beam scales - Weight-O-Graph models 77, 77-M, 77-DM.
- Over/Under indicator for beam scales - Model 6102.
- Weight Printer - Mechanoprint MR1 and MR2 models.
- Automatic Cut-Offs.
- Weight Encoders.

These scales carry the trade name "Durasteel".

Rating: Maximum capacities -

- 2400 and 2800 series - 6000 pounds
- 2500 and 2900 series - 12500 pounds

Application: The weighing of commodities in trade.

Description: These scales utilize two T-shaped torsion type main levers and a transfer lever, assembled in the conventional manner. Levers are fabricated style, consisting of steel pipe and structural sections, assembled by welding. Load bearings are suspension type, self-aligning.


The style and the assembly arrangement of the understructure is the same for both standard and heavy duty models, with the latter utilizing heavier construction materials.

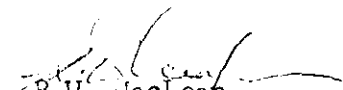
These scales may be furnished either with full frame or with semi-frame for floor mounting or for built-in installation respectively. Scale platforms are of steel plate.

Testing: The standard tests for platform floor scales shall apply.

References: SW-85-H11  
SL-102-89

Note: Approval is granted under the Weights and Measures Act, Chapter 292, and Regulations thereunder (P.C. 6894) for use in Canada under the general conditions of P.C. 6894, and under any special conditions listed above.

  
(for) Chief,  
Weights and Measures Division,  
Standards Branch.

  
R.W. MacLean,  
Director,  
Standards Branch.