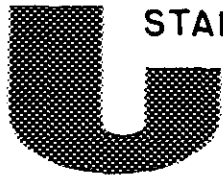


Department of consumer and corporate affairs / Ministère de la consommation et des corporations



STANDARDS BRANCH - DIRECTION DES NORMES

# NOTICE OF APPROVAL

S.WA-754

OTTAWA August 25, 1969.

Approved: EASTERN BUILT-IN PLATFORM SCALES MODELS SR, BSR

manufactured by Eastern Scale Works Ltd., 30 Carnforth Road, Toronto, Ont., and Western Scale Co. Ltd., 680 Industrial Ave., Vancouver, B.C.

Apparatus Listed: Built-in Platform Scales, with platforms of standard size (Model BSR), and with specially-dimensioned platforms (Model SR). Both models may be equipped with any of the following types of indicator:

- Pedestal or cabinet dial with or without beams, unit weights and weight printer;
- Full Capacity Beam;
- Type Registering Beam.

<u>Model No.</u>	<u>BSR Scale Data</u>	
	<u>Capacity - Tons</u>	<u>Platform Size</u>
56BSR	7 $\frac{1}{2}$	6' x 5'
58BSR	7 $\frac{1}{2}$	8' x 6'
59BSR	7 $\frac{1}{2}$	9' x 7'
108BSR	12	8' x 6'
109BSR	12	9' x 7'
158BSR	15	8' x 6'
159BSR	15	9' x 7'

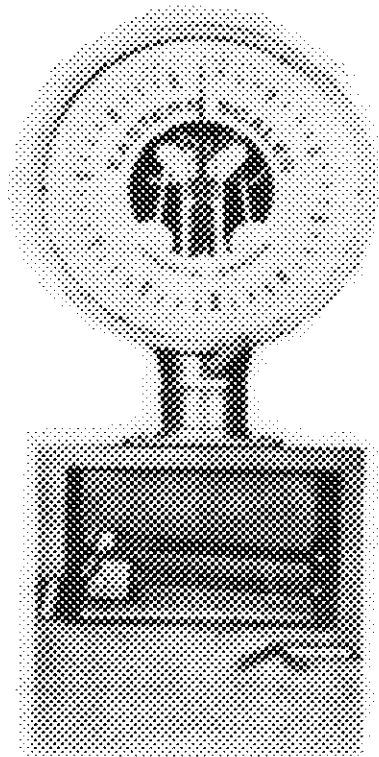
### SR Scale Data

Standard platform sizes are not listed, each installation being dimensioned to suit the user's requirements. Model numbers consist of a set of digits which denote scale capacity in tons and the platform length in feet, followed by the letters SR.

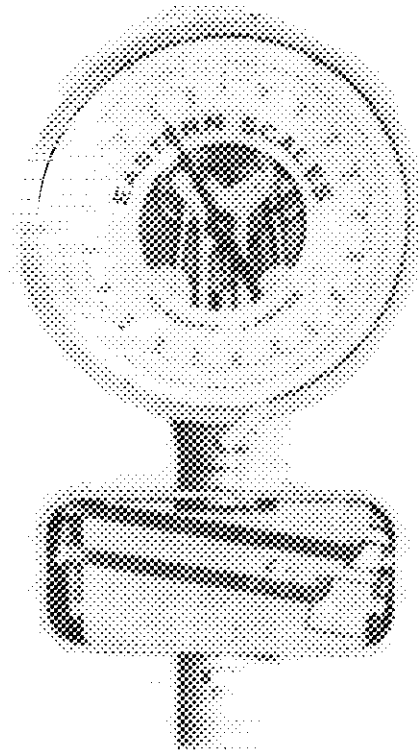
Example: 5 ton scale, 10 foot platform.  
Model No. is 510 SR

Model numbers quoted above for both SR and BSR scales are complete numbers for scales with beam indication. Dial scales are identified by additional lettering as follows:  
CD - Cabinet Dial                      PD - Pedestal Dial

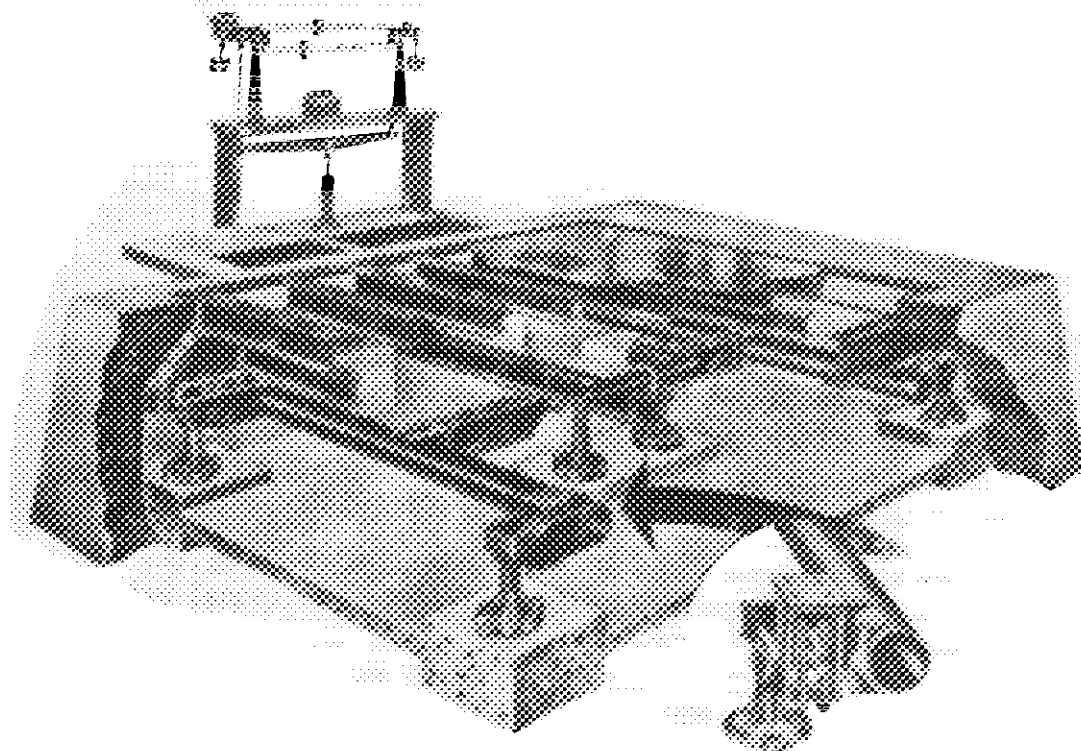
Example: 15 ton BSR scale, 9x7 platform, cabinet dial.  
Model No. is 159-CD-BSR.



CABINET DIAL



PEDESTAL DIAL



Rating of Apparatus: Maximum capacity, 15 tons.

Application: The weighing of commodities in general trade. Model SR scales may be used for the weighing of livestock when especially equipped for this purpose.

Description: These scales utilize two main levers, "T" shaped, torsion type. Torsion shafts are steel pipe. Lever arms and other components are fabricated of plate and structural steel stock. Assembly is by welding.

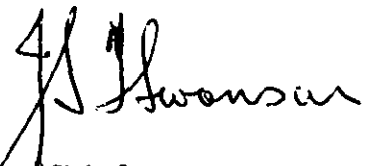
The scale platform is supported by double-link suspension assemblies as commonly used on scales of Eastern manufacture. The deck may be constructed of timber or steel.


For livestock weighing, Model SR scales are equipped with barriers mounted on the live deck of the scale.

Testing: The standard tests for platform scales shall apply.

References: SW-85-E7  
SL-102-644

Note: Approval is granted under the Weights and Measures Act, Chapter 292, and Regulations thereunder (P.C. 6894) for use in Canada under the general conditions of P.C. 6894, and under any special conditions listed above.

  
(for) Chief,  
Weights & Measures Division,  
Standards Branch.

  
R. W. MacLean,  
Director,  
Standards Branch.