



Department of consumer and corporate affairs / Ministère de la consommation et des corporations



STANDARDS BRANCH - DIRECTION DES NORMES

NOTICE OF APPROVAL

S.WA-751

OTTAWA August 26, 1969.

Approved: FAIRBANKS MORSE BUILT-IN FLOOR SCALES - CAST LEVERS, TYPE "S"

manufactured by Fairbanks Morse Inc., East Moline, Illinois, U.S.A.

Apparatus Listed: Built-in Warehouse Scales, with main lever fulcrums either suspended or stand-mounted.

<u>Stand-Mounted</u>		<u>Suspended</u>		<u>Platform Dimensions</u>	<u>Max. Capacity Pounds</u>
<u>Old Model No.</u>	<u>New Model No.</u>	<u>Old Model No.</u>	<u>New Model No.</u>		
5750	21-1009	5755	21-1109	6' x 5'	12,500
5751	21-1020	5756	21-1120	8' x 6'	12,500
5752	21-1027	5757	21-1127	9' x 7'	12,500
5711	21-1070	5716	21-1170	8' x 6'	22,500
5712	21-1077	5717	21-1177	9' x 7'	22,500

All scales may be furnished with cabinet dial or beam indication. Cabinet dials may be equipped with beams, unit weights and printer. For beam indication, a double beam with shelf lever is normally fitted. A full capacity beam or type-registering beam is optional.

Application: The weighing of commodities in trade.

Description: These scales are built-in type and utilize a load lever system consisting of four levers of cast construction. Two long levers are connected in "V" arrangement and support the front corners of the platform. The rear corners are supported by two short levers each of which is connected to the adjacent long lever.

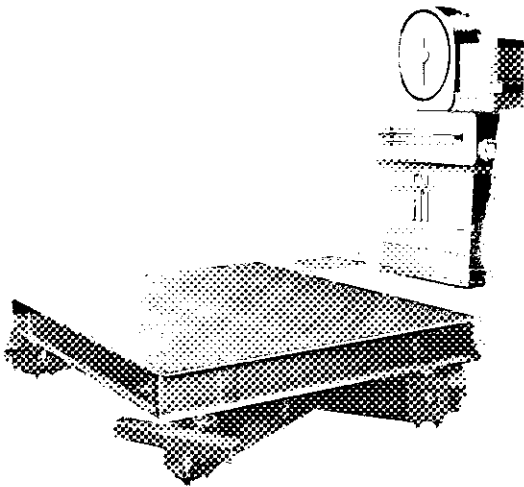
Lever fulcrums may be either suspended or stand-mounted.

Bearing assemblies are self-aligning parallel link suspension type.

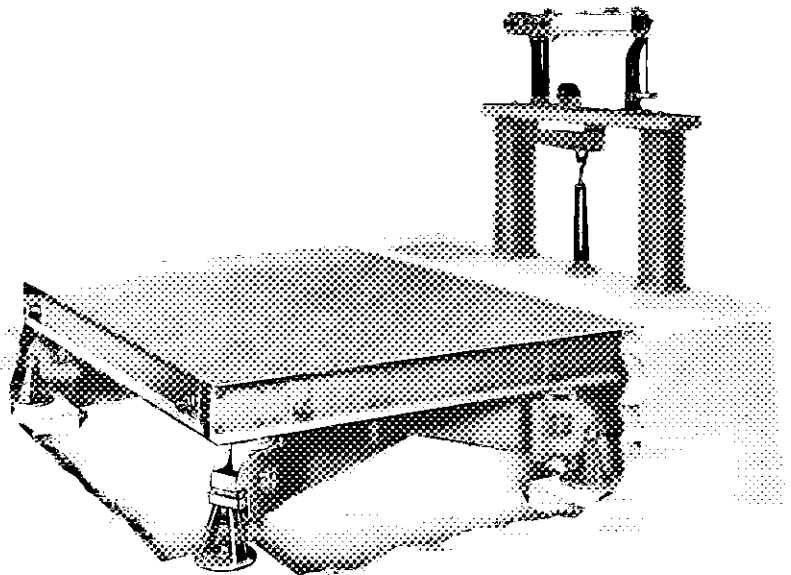
Platforms may be of metal, wood or concrete.

FAIRBANKS MORSE BUILT-IN FLOOR SCALES - CAST LEVERS, TYPE "S"

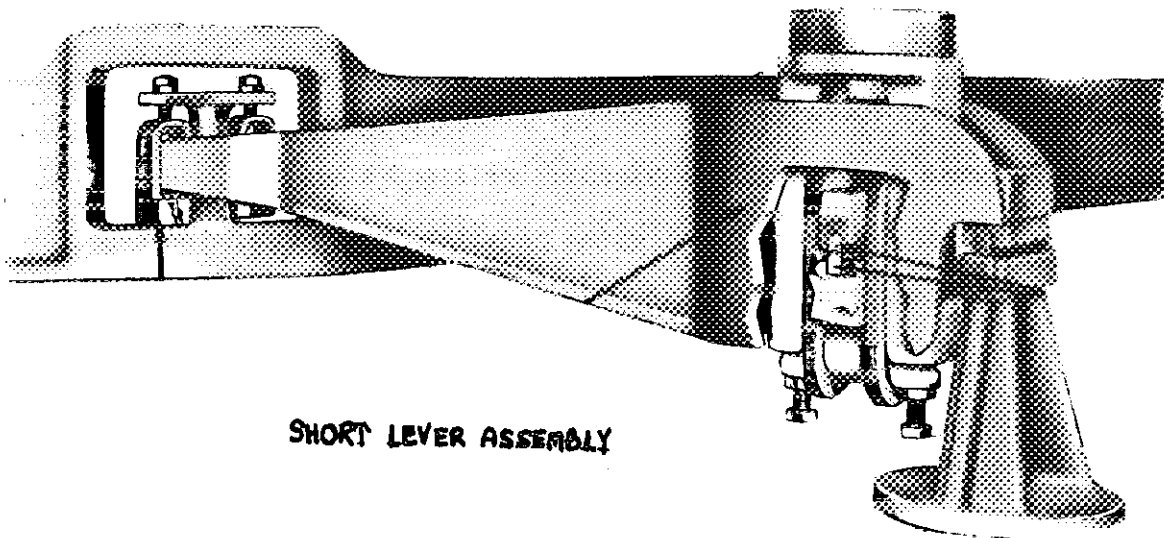
S.WA-751



DIAL SCALE - SUSPENDED LEVERS



BEAM SCALE - STAND MOUNTED



SHORT LEVER ASSEMBLY

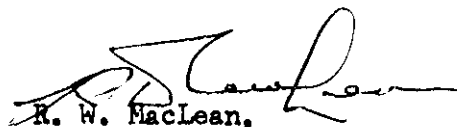
Testing: The standard tests for a built-in warehouse scale shall apply.

References: SW-85-F3
SL-102-129

Note: Approval is granted under the Weights and Measures Act, Chapter 292, and Regulations thereunder (P.C. 6894) for use in Canada under the general conditions of P.C. 6894, and under any special conditions listed above.



(for) Chief,
Weights and Measures Division,
Standards Branch.



R. W. MacLean,
Director,
Standards Branch.