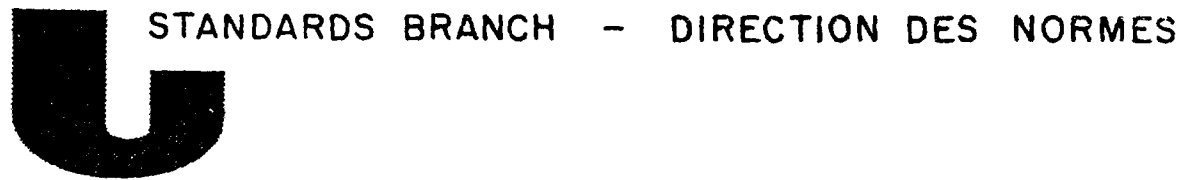




Department of consumer and corporate affairs / Ministère de la consommation et des corporations



NOTICE OF APPROVAL

S.WA-744

OTTAWA May 29, 1969.

Approved: EASTERN DORMANT SCALE - MODEL HDD

manufactured by Eastern Scale Works Ltd., 30 Carnforth Road, Toronto, Ont., and Western Scale Co. Ltd., 680 Industrial Ave., Vancouver, B.C.

Apparatus Listed: Dormant Platform Scale Model HDD, either totally enclosed or with skeleton frame for pit mounting. Standard platform sizes are not listed, as each installation will be dimensioned to suit the user's requirements.

These scales may be equipped with any of the following types of indicators - Pedestal or Cabinet Dial,
Dial and Beam(s)
Dial, Beam and/or Unit Weights
Full Capacity Beam
Type Registering Beam

Dial scales may be equipped with weight printer. Dial heads and printers are of Detecto manufacture. Beams are manufactured by Eastern Scale.

Rating of Apparatus: Maximum capacity, 20,000 lb.

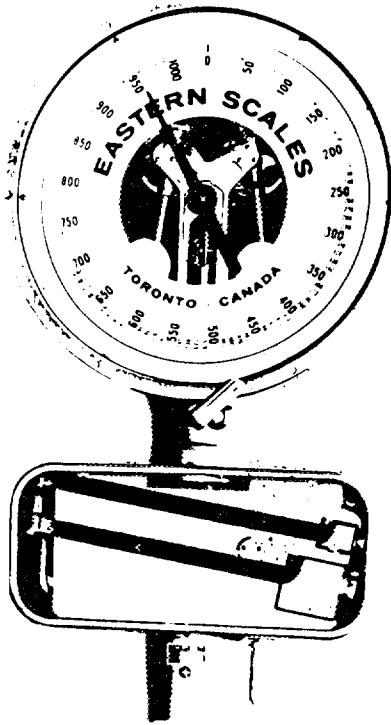
Application: Weighing of commodities in general trade.

Description: These devices are platform scales, with optional readout equipment as listed above.

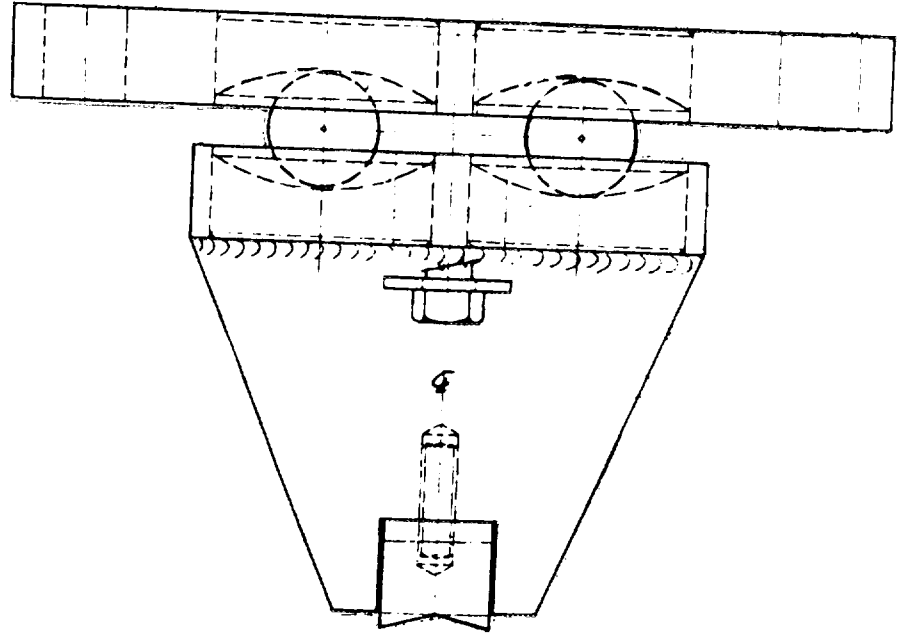
These scales utilize two main levers, "T" shaped, torsion type. Torsion shafts are steel pipe. Lever arms and other components are fabricated of plate and structural steel. Assembly is by welding.

Load is transferred from the weighbridge to the load bearings by means of steel balls rather than the suspension type of bearings commonly used on earlier models of Eastern dormant scales. Two balls are used at each corner, the balls operate in machined cups of sufficiently large radius to permit self-alignment.

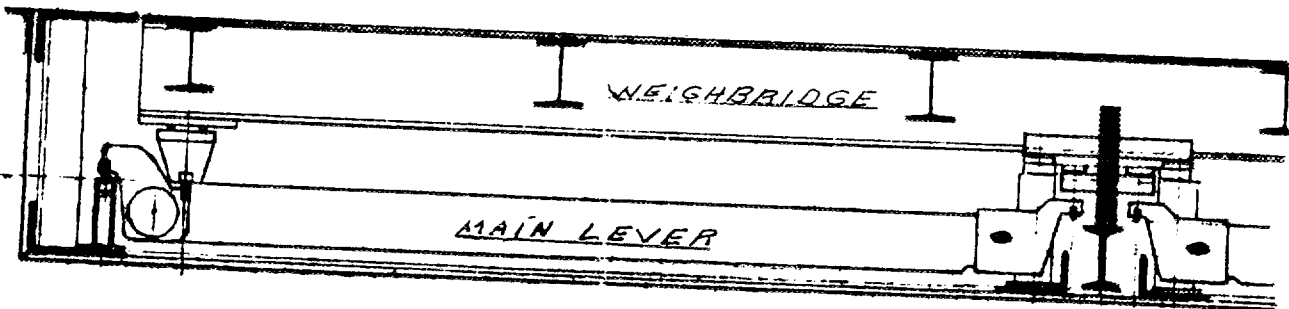
Main lever load and fulcrum pivots vary in lengths from 2 in. to 3 in. depending on the scale capacity. Pivots are secured in the levers by means of set screws. Bearings are loosely fitted to permit self-alignment.



PEDESTAL DIAL



LOAD BEARING ASSEMBLY



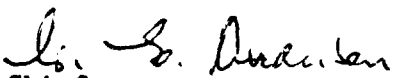
MAIN LEVER ARRANGEMENT


The base frame and load platform are of welded structural steel members and steel plate.

Testing: The standard tests for platform scales shall apply.

References: SW-85-E7
SL-102-753

Note: Approval is granted under the Weights and Measures Act, Chapter 292, and Regulations thereunder (P.C. 6894) for use in Canada under the general conditions of P.C. 6894, and under any special conditions listed above.

(for) 
Chief,
Weights and Measures Division,
Standards Branch.


R. W. MacLean,
Director,
Standards Branch.

