



Ottawa, June 5, 1980
First Approved: September 15, 1976

NOTICE OF APPROVAL – AVIS D'APPROBATION

Company Name: Weightech Group
Model Numbers - Series 1072-1078

Manufacturer: Weightech Group or
Colt Industries (Canada) Ltd.
Fairbanks Weighing Division
Models: 33-11/42-8533, 33-12/42-8503 *et 2500 series*

Type of Device: Stand-mounted hopper and tank scale.

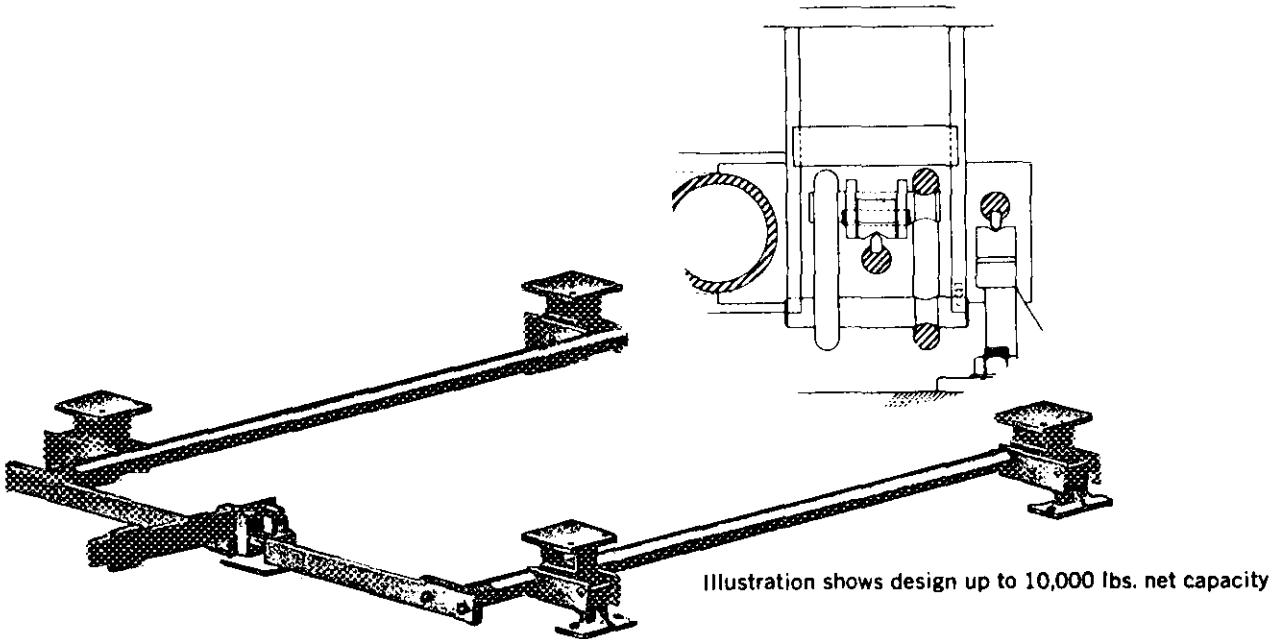
<u>MODEL NUMBERS</u>	<u>CAPACITY</u>	<u>LOAD CELL TYPE AND MODEL NUMBER</u>
33-11/42-8533, 33-12/42-8503 OR Series 1072 - 1078	Maximum 10,000 lbs. OR Metric equivalent	Transducer T263

Approved Accessories: Compatible Weight Printer

Description: These scales are equipped with stands for floor mounting. The levers are L-shaped and are fabricated from steel pipe and structural sections. Load transfer to the levers is by means of double link suspension bearings.

Load indication is by means of a Fairbanks Model 42-8503 indicating dial, or when used with a single Transducer T263 load cell attached to the connecting rod, any approved compatible electronic indicator.

Double Link Suspension Pipe Lever Scales on Stands



Conditions of Approval: Approval is granted under the Weights and Measures Act, S.C. 1970-71-72, Chapter 36, and the Weights and Measures Regulations C.R.C.c., 1605 for use in Canada under the general conditions of the said Regulations, and under any special conditions listed above.

File No.: G6922-F158-11

.....
John Buchanan
Acting Chief
Weights and Measures Division
Legal Metrology Branch