



**NOTICE OF APPROVAL
AVIS D'APPROBATION**

S.-WA 703

Ottawa, March 24, 1976

FAIRBANKS RAILWAY TRACK SCALES

MANUFACTURER: Colt Industries (Canada) Ltd.
Fairbanks Weighing Division,
Don Mills, Ontario

APPARATUS: Railway Track Scales
Fabricated lever type, Series 13-100

<u>SCALE MODEL NUMBERS</u>			<u>CAPACITY-TONS</u>
			(or metric equiv)
<u>2 Sections</u>	<u>3 Sections</u>	<u>4 Sections</u>	
13-110	13-120	13-130	150
13-111	13-121	13-131	150
13-112	13-122	13-132	180
13-113	13-123	13-133	200
13-114	13-124	13-134	210
13-115	13-125	13-135	250
13-116	13-126	13-136	300
13-117	13-127	13-137	300
13-118	13-128	13-138	300
<u>5 Sections</u>	<u>6 Sections</u>	<u>7 Sections</u>	
13-140	13-150	13-160	150
13-141	13-151	13-161	150
13-142	13-152	13-162	180
13-143	13-153	13-163	200
13-144	13-154	13-164	210
13-145	13-155	13-165	250
13-146	13-156	13-166	300
13-147	13-157	13-167	300
13-148	13-158	13-168	300

March 24, 1976

.../2

These scales may be equipped with any approved Fairbanks Morse indicator of the following types -

- Full capacity beam
- Type registering beam
- Cabinet dials with or without unit weights, printers or remote indicators.
- Electronic indicators with load cell(s) with or without printers.

RATING: Scale capacities are as listed above.

APPLICATION: The weighing of loaded and empty railway cars in trade.

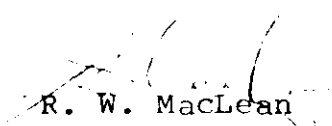
DESCRIPTION: These scales are equipped with A-shaped load levers of welded construction utilizing structural steel sections. All load levers are connected to a backbone lever of welded pipe and steel sections, which in turn acts upon the transfer lever.

Scales may be built with anywhere from two to seven sections, depending upon platform length and load requirements. The number of scale sections and the capacity are identified respectively by the fourth and fifth digits of the model number.

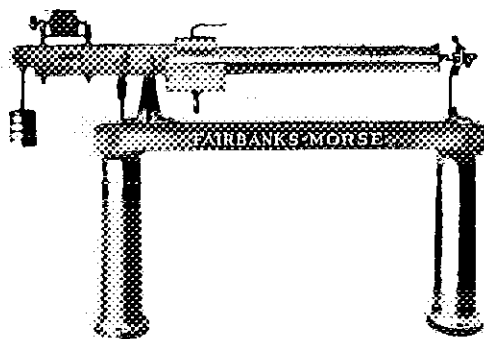
TESTING: The standard tests for railway track scales shall apply.

REFERENCE: GL1153-57/F156-481.

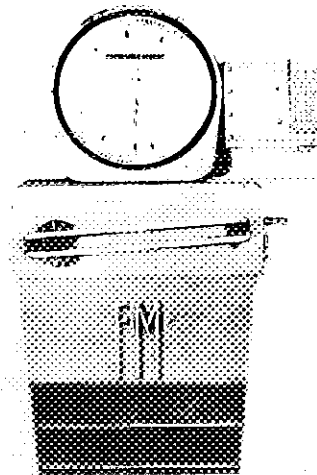
CONDITIONS OF APPROVAL: Approval is granted under the Weights and Measures Act, S.C. 1970-71-72, Chapter 36, and the Weights and Measures Regulations P.C. 1974-1461 of June 27, 1974 for use in Canada under the general conditions of the said Regulations, and under any special conditions listed above.


R. W. MacLean
Director General
Consumer Standards Directorate.

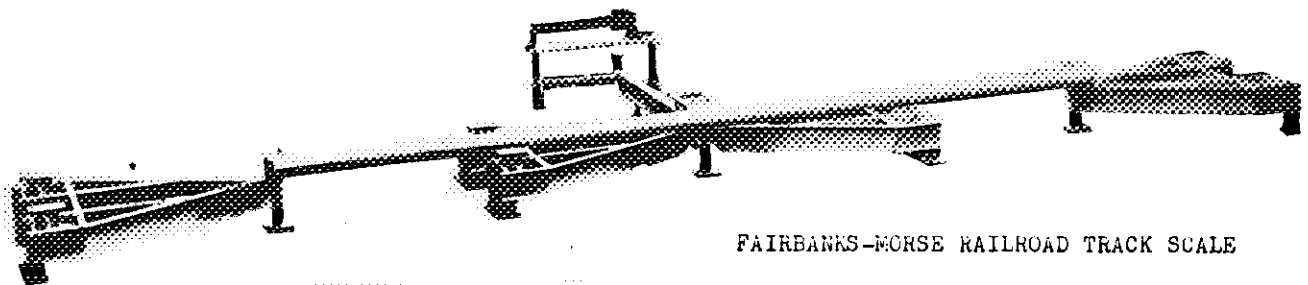
FAIRBANKS RAILWAY TRACK SCALE



TYPE REGISTERING BEAM



CA-DIAL AND PRINTOMATIC



FAIRBANKS-MORSE RAILROAD TRACK SCALE