



Consumer and
Corporate Affairs

Consommation et
corporations

Standards

Normes

**NOTICE OF APPROVAL
AVIS D'APPROBATION**

S.WA-671

Ottawa, November 28, 1975

PORTABLE PLATFORM BEAM SCALES

MANUFACTURER: Colt Industries (Canada) Ltd.,
Fairbanks Weighing Division,
Don Mills, Ontario

APPARATUS: Portable Platform Beam Scales

<u>MODEL NUMBERS</u>		<u>CAPACITY</u>	<u>PLATFORM SIZE</u>
<u>Current No.</u>	<u>Old No.</u>	<u>Pounds</u>	<u>Inches</u>
41-3144	1310	1000	30 x 42
41-3154	1316	2000	34 x 44
41-3152	1168	2000	25 x 32
41-3156	1167	3000	26 x 34
41-3153	1389	2000	35 x 44
41-3353	1390	2000	35 x 44
41-3158	1206	4000	31 x 39
41-3314	1204	400	16 x 25

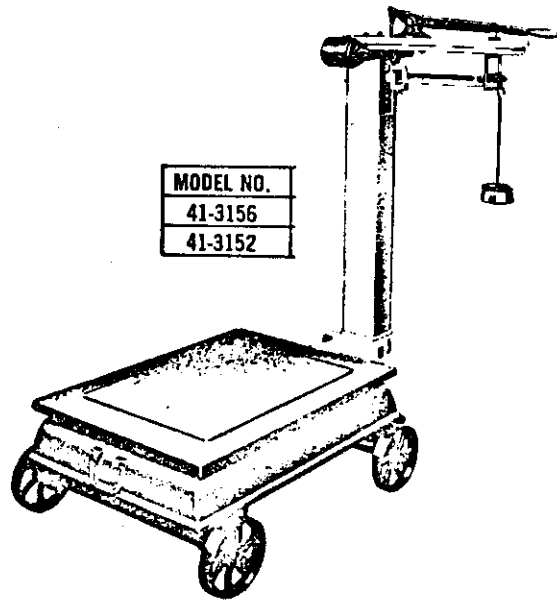
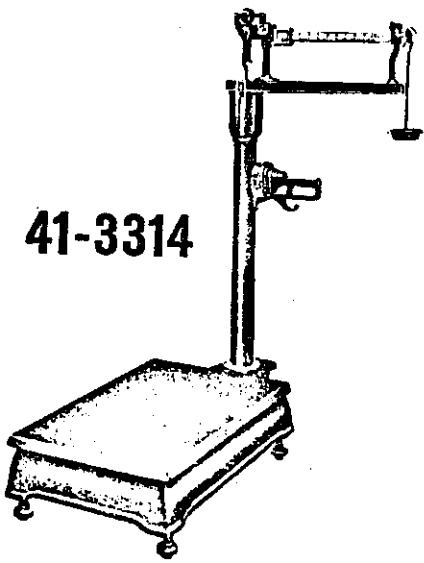
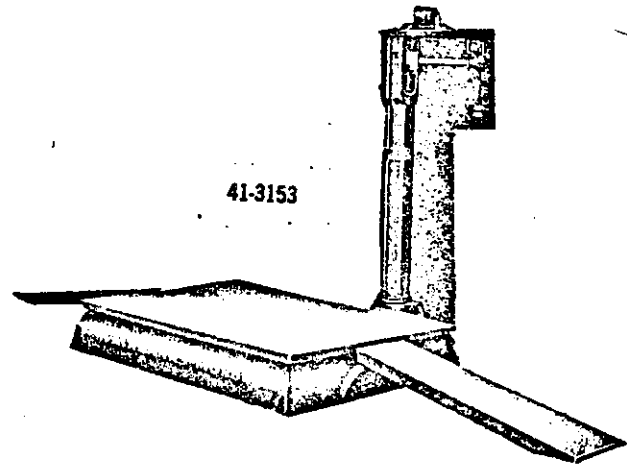
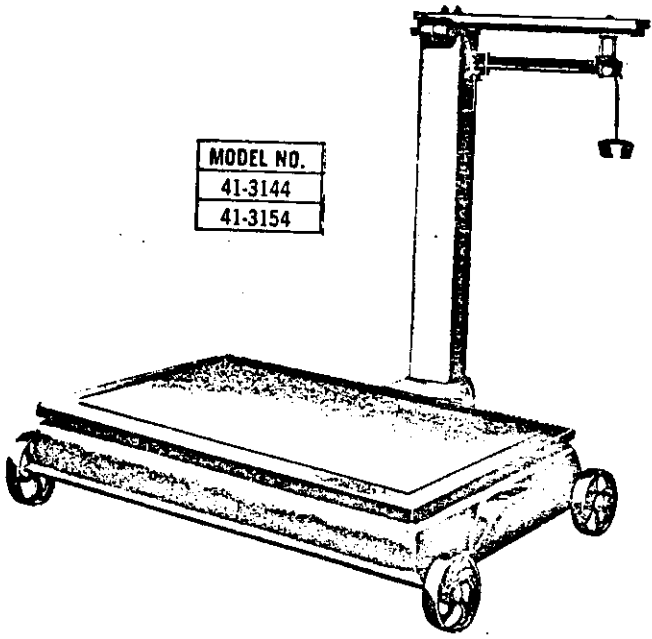
RATING: Capacities are as listed above.

APPLICATION: The weighing of commodities in trade.

DESCRIPTION: These scales are equipped with two A-shaped load levers and have an indicating beam and poise with counterpoise weights. The load levers, scale bases and platforms are principally of cast construction. Pillars on scales of current manufacture may be of fabricated sheet or cast metal, with wood being used on some earlier scales.

Models 41-3144 and 41-3154 are particularly proportioned for use in the weighing of bulky materials, as they are equipped with relatively large load platforms.

PORTABLE PLATFORM BEAM SCALES



November 28, 1975

.../3

Models 41-3152, 41-3156 and 41-3158 are equipped with a lever-operated relieving mechanism which can be operated to prevent shock loading of the bearings and pivots when handling heavy load on and off the platform.

Models 41-3153 and 41-3353 are intended for weighing wheelbarrow loads and are equipped with inclined ramps to facilitate loading.

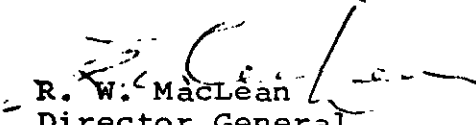
Model 41-3314 is especially built for weighing relatively expensive materials. Accuracy and sensitivity are provided by the use of agate beam bearings and a level indicator and levelling screws.

All scales except models 41-3314 and 41-3353 are equipped with wheels.

TESTING: The standard tests for portable platform scales shall apply.

REFERENCE: GL 1153-57/F156-626

CONDITIONS OF APPROVAL: Approval is granted under the Weights and Measures Act, S.C. 1970-71-72, Chapter 36, and the Weights and Measures Regulations P.C. 1974-1461 of June 27, 1974 for use in Canada under the general conditions of the said Regulations, and under any special conditions listed above.


R. W. MacLéan
Director General
Standards Directorate