



DEPARTMENT OF CONSUMER & CORPORATE AFFAIRS
STANDARDS BRANCH

S.A-399
Revision (1)

OTTAWA, May 9, 1969.

APPROVED: TOLEDO HOPPER AND TANK SCALES - DIAL INDICATION

manufactured by Toledo Scale Company of Canada Ltd., 2462 Howard Ave., Windsor, Ont.

Apparatus Listed: Hopper and Tank Scales with Toledo mechanical dial indicating heads and with or without "Printweigh" weight printers.
Scales with Fabricated Steel Levers (Tru-Steel)

<u>Scale Type</u>	<u>Model No.</u>	<u>Capacity Range</u>
Hopper Scale	2352	625 lb. to 125,000 lb.
Suspended Levers		
Hopper Scale	2372	625 lb. to 125,000 lb.
Stand-Mounted		
Tank Scale	2382	2500 lb. to 125,000 lb.
Stand-Mounted		

Lever assemblies are identical for all models. Differences occur only in the lever support structures and in the method of supporting the scale load.

Capacities are as listed below.

<u>Lever Series</u>	<u>Gross Capacity</u>	<u>Lever Series</u>	<u>Gross Capacity</u>
0	625 lb.	20	25,000 lb.
1	1,250 lb.	24	30,000 lb.
1½	1,875 lb.	30	37,500 lb.
2	2,500 lb.	40	50,000 lb.
5	6,250 lb.	50	62,500 lb.
6	7,500 lb.	60	75,000 lb.
8	10,000 lb.	80	100,000 lb.
10	12,500 lb.	100	125,000 lb.

Toledo dial head models 30, 31, 32, 33, 34, 35, 40 and 46 may be used. This model range provides for selection of a head with or without beams and unit weights and for mounting above or below the lever system.

Scales with Cast Lever Arms -

<u>Model No.</u>	<u>Dial Head Toledo No.</u>	<u>Max. Capacity</u>
2351	34 or 35	50,000 lb.
2371	30 or 32	20,000 lb.
2381	33	20,000 lb.

All of above are hopper scales with suspended lever systems.

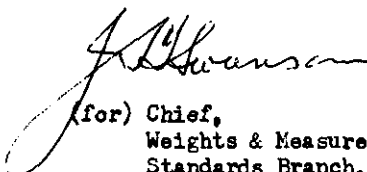
Application: The weighing of free-flowing solids or liquids in trade.

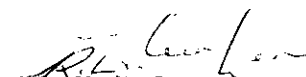
Description: These scales are torsion lever type, utilizing two L shaped lever assemblies. Fabricated lever models (Tru-Steel) are welded assemblies utilizing steel pipe torsion shafts. Cast Lever models have solid steel shafts with arms of cast construction. Pivots and bearings are of hardened steel and are interchangeable. Bearings are self-aligning. Link suspension bearings are utilized in supporting the lever assemblies of stand-mounted scales.

Testing: The standard tests for hopper and tank scales shall apply.

References: SW-85-T6
SI-102-775

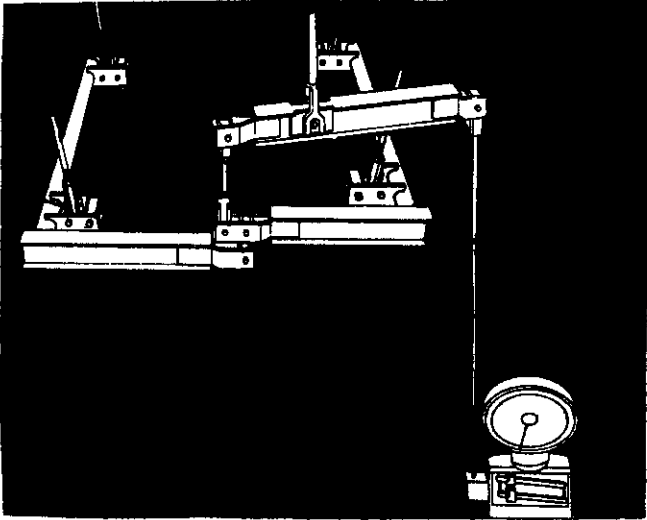
Note: Approval is granted under the Weights and Measures Act, Chapter 292, and Regulations thereunder (P.C. 6894) for use in Canada under the general conditions of P.C. 6894, and under any special conditions listed above.


(for) Chief,
Weights & Measures Division,
Standards Branch.

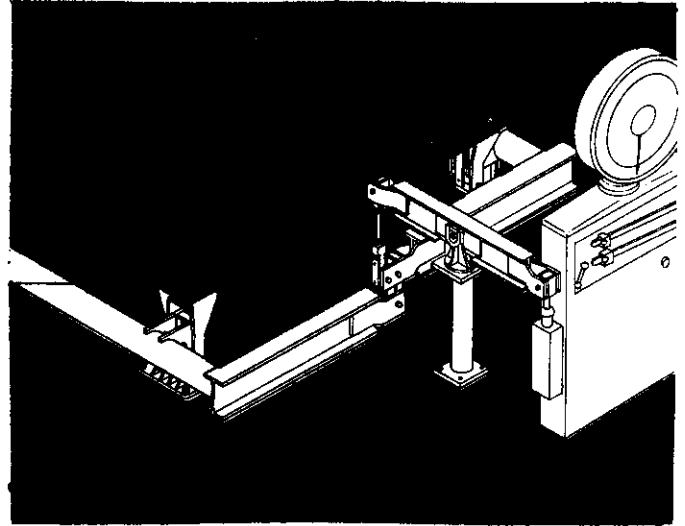

R. W. MacLean,
Director,
Standards Branch.

TOLEDO HOPPER AND TANK SCALES

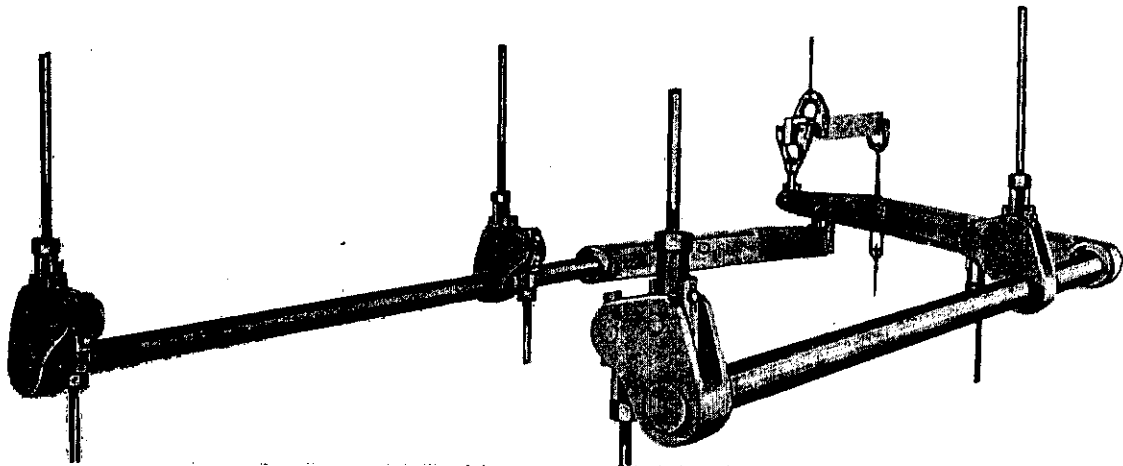
S.WA-399
Revision (1)



MODEL 2352 HOPPER SCALE



MODEL 2382 TANK SCALE



LEVER SYSTEM - MODELS 2351, 2371, 2381