



Department of consumer and corporate affairs / Ministère de la consommation et des corporations



STANDARDS BRANCH - DIRECTION DES NORMES

NOTICE OF APPROVAL

S.WA-155

Revision 1

OTTAWA February 15, 1971

Approved: HOWE RICHARDSON SUSPENDED PLATFORM SCALE

manufactured by Robert Morse Corp. Ltd. Dominion Industrial Building,
Ville St. Pierre, Quebec.

Apparatus Listed: Suspended Platform Scale - Model 1360 - Self contained
Model 1233 - No support frame

Scales may be equipped with any of the following types of indicators:-

- Double pendulum cabinet dial with analog indication, Magna-Weigh Series 31000 and 31000-E4A.
- Single pendulum mechanism with projected digital indication, Magna-View Series 34000.
- Spring mechanism, cabinet dial with analog indication, Avery Model CLE.
- Howe Richardson double beam.
- Single pendulum digital indicator for beam scales, Weight-O-Graph Models 77, 77W, 77LW.
- Unit Weights, manual or automatic.

Application: The weighing of commodities in trade.

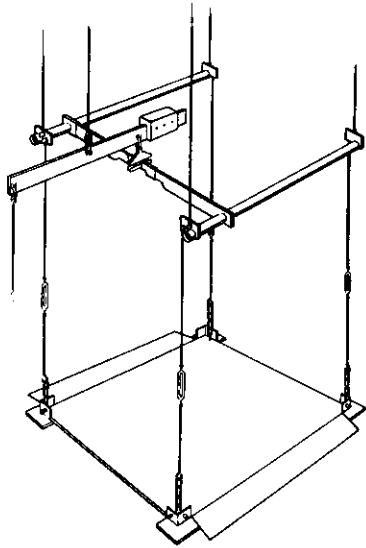
Load Rating: Maximum capacity - 6000 pounds.

Description: These scales are equipped with two T-shaped load levers of welded steel construction. Earlier versions of this scale had levers of cast construction. Model 1360 is furnished with a steel frame which serves to enclose and support the scale. Model 1233 is for use where there is an existing over-head structure from which the scale may be suspended.

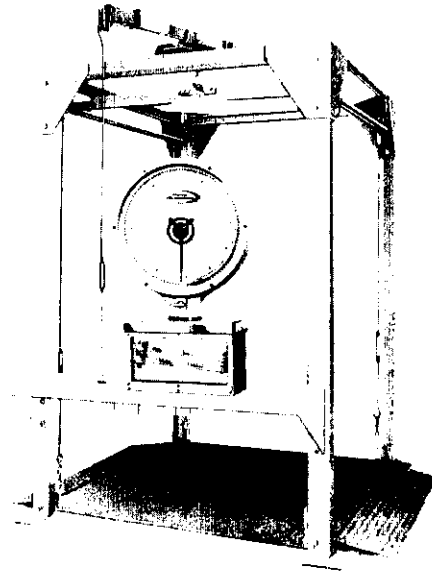
The scale is equipped with a flat steel platform which is suspended from the levers by means of adjustable corner rods and chains.

Testing: The standard tests for a suspended platform scale shall apply.

HOWE RICHARDSON SUSPENDED PLATFORM SCALE



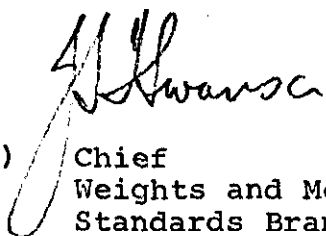
MODEL 1233

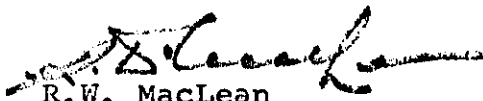


MODEL 1360

References: SW-85-H11
SL-102-267

Note: Approval is granted under the Weights and Measures Act, Chapter 292, and Regulations thereunder (P.C. 6894) for use in Canada under the general conditions of P.C. 6894, and under any special conditions listed above.


(for) Chief
Weights and Measures Division
Standards Branch


R.W. MacLean
Director
Standards Branch