



Department of consumer and corporate affairs / Ministère de la consommation et des corporations



**STANDARDS BRANCH - DIRECTION DES NORMES**

**NOTICE OF APPROVAL  
AVIS D'APPROBATION**

**G-65-4**

OTTAWA August 16, 1974

CANADIAN METER COMPANY, SERIES CVMP  
ROTARY, POSITIVE DISPLACEMENT GAS METER

Apparatus

Model designation	3.5M	5.3M	11M
Rated capacity, cu. ft. per hour	3500	5300	11000
Swept volume per rev. of meter, cu. ft.	0.042	0.068	0.167
Capacity per rev. of meter output shaft, cu. ft.	10	10	100
Max. working pressure, psi	125	125	125
Meter connections, flange	2"	3"	3"
Housing material	Aluminum	Aluminum	Aluminum

Description

This meter is similar to the CVM meter, approved in circulars G-65, April 22, 1970; G-65-1, Sept. 22, 1971 and G-65-3, Dec. 13, 1973 except for the following:

The CVMP meter is designed for measurement of gas in production service. Meter connections, located at the lowest portion of meter housing, enhance the self-purging capability and provide for natural drainage.

A low loss flow limiting nozzle at the outlet of the meter is supplied to prevent overspeeding and damage to the meter. The nozzle is designed to minimize pressure loss at critical flows.

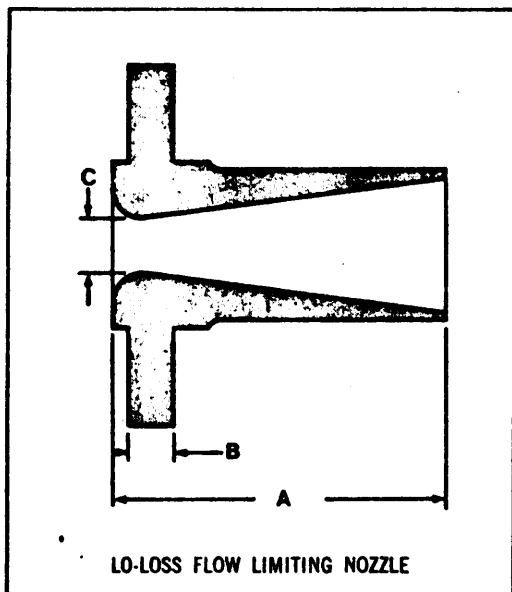
CVMP meters are not intended for measurement of volumes at flow rates below 10 percent of the meter rated capacity. Rated capacities listed in this circular are the maximum permissible rates of flow at line conditions.

# CANADIAN CVMP METER INSTALLATION

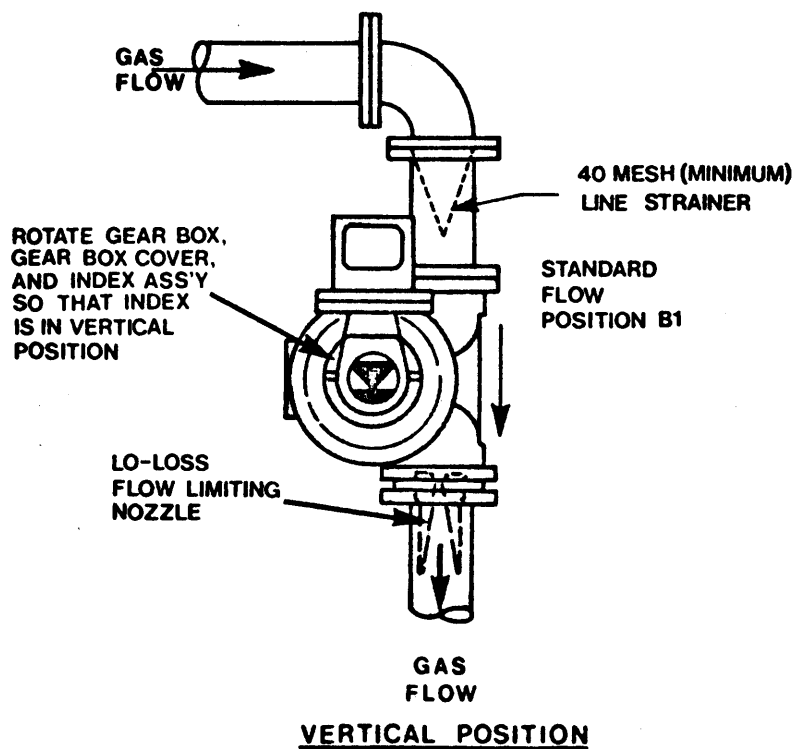
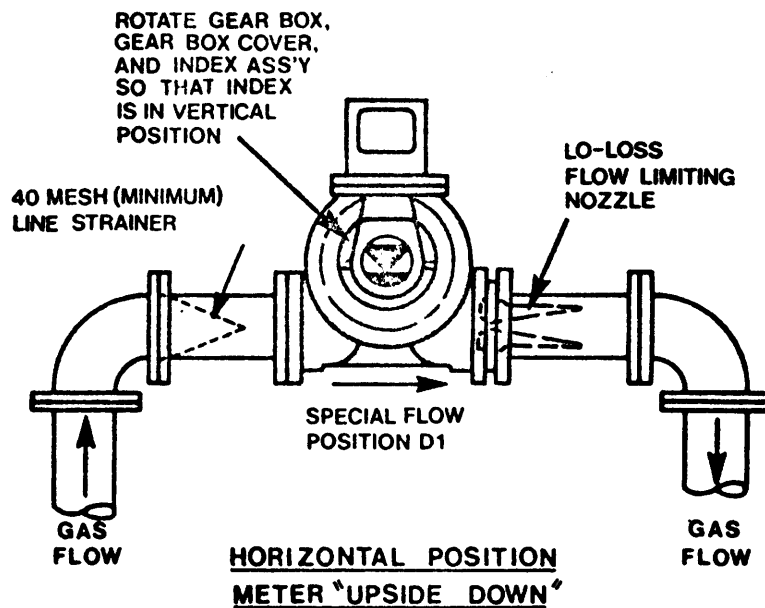
The preferred installation positions for CVMP are shown in the diagrams.

## LEVELING NON-CRITICAL

With no oil sumps, leveling is not critical.



CVMP MODEL	PIPE SIZES INCHES	DIMENSIONS IN INCHES		
		A	B	C
3.5M	2	3 3/8	3/8	1 1/2
5.3M	3	5	3/8	2 3/2
11M	3	5	3/8	1 3/2



This rotary meter, equipped with a non-lubricated rear rotor assembly bearing and sealed stainless steel gate and front rotor bearings, may be installed in either horizontal or vertical line as indicated in the illustrations. Approval covers meters equipped for instrument drive.

Any meter which is not equipped with an instrument drive or does not incorporate an auxiliary pressure correcting device is APPROVED FOR USE ON LOW PRESSURE ONLY of approximately seven ounces per square inch pressure, or less, unless it is used for approved pressure factor metering application.

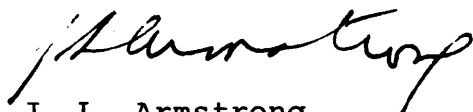
For other particulars refer to circulars G-65, G-65-1 and G-65-3.


The nameplate on the meter shall include the following information:

- (I) Maker's name
- (II) Type or Model designation
- (III) Serial number of the meter
- (IV) Rated capacity of the meter, cu. ft. per hour
- (V) Maximum working pressure, psi.

Approval granted to:

Canadian Meter Company,  
Milton, Ont. and Edmonton, Alta.

  
J. L. Armstrong,  
Chief, Standards Laboratory  
Metrology and Laboratory Services.

  
D. L. Smith,  
Chief, Electricity & Gas Division,  
Metrology and Laboratory Services.

Re: GL 1147-57-C6-123  
G 1147-57-C6-123

CANADIAN METER COMPANY, SERIES CVMP  
ROTARY, POSITIVE DISPLACEMENT GAS METER



### MOUNTING POSITIONS

With standard instrument base plates level in the horizontal plane, the meter can be rotated to three mounting positions, D, B or C. With standard or special flow, four preferred options are available. Four vertical instrument positions are made available by four instrument drive base plate positions.

