

SE-85-18  
 SL-100-384  
 SL-100-SFE

Ottawa, December 28, 1967.

Canadian ASEA Electric Limited,  
 P. O. Box 670, Station "E",  
 MONTREAL,  
 Quebec.

Attention: Mr. P. G. Fazzari, Eng.,  
Manager - Utility Division.

SPECIAL APPROVAL - Six Only - ASEA Type "ITPA 120 A3"  
138000 Volt, 75/100/150/200/300/400  
-5-5-5 Ampere, 60 hz, Current Trans-  
formers, Serial Numbers 587213-218

Dear Sirs:

This is to advise that Special Approval has been granted by the Standards Branch, for use in Canada for billing purposes, to the above-named apparatus.

Each transformer has three separate tapped secondary windings and a series-multiple primary winding. The loads from each of the secondary windings are brought to a terminal block and are identified as X1, X2, X3 from one winding, and Y1, Y2, Y3 and Z1, Z2, Z3 from the other two. X2, Y2 and Z2 are the taps. The primary winding is in three sections that can be connected by means of links at the top of the bushing in series, series-parallel, and parallel.

Using the full secondary windings the ratios obtainable are 100-5, 200-5 and 400-5 amperes. Using the tap on the secondary windings the ratios are 75-5, 150-5 and 300-5. Any unused secondary winding must be short-circuited.

The accuracy rating using the full secondary winding and any primary connection is 0.380.1, 0.2, 0.5, 0.9, 1.0, B(2x0.9), B2.0, and when using the tap on each secondary winding with any primary connection the accuracy rating is 0.380.1, 0.2, 0.5, 0.9, 1.0; 0.6B(2x0.9), B2.0. The nameplate is marked "0.3B1.0; 0.6B2.0" for all ratios. A photo-  
 ... copy of the nameplate is enclosed.

...../2

Canadian ASEA Electric Limited, Montreal ....  
(Attention: Mr. P. G. Fazzari)

December 28, 1967.

These transformers are for use by the Newfoundland Labrador  
Power Commission, St. John's, Newfoundland.

Yours very truly,

W. J. S. Fraser, Chief,  
Electricity and Gas Division,  
Standards Branch.

c.c. to: Mr. J. M. Taylor, Dist. Insp. of Electricity and Gas, St. John's, Nfld.  
c.c. to: Newfoundland Labrador Power Commission (through Mr. Taylor)

EAW/mec  
encl.-1

SPE-0116

**ASEA**

NEWFOUNDLAND AND LABRADOR POWER COMMISSION  
BAY D'ESPOIR DEVELOPMENT

9542 144

Årsvika  
Date: 30.9.65

Nameplate diagrams  
for Current Transformer

Scale: 1:1  
Form: 11

Scale: 1/5     Kont. 70

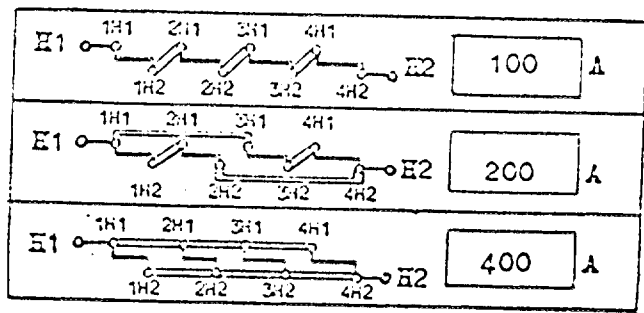
L 5522.1029-2

**Current Transformer**

**ASEA**  
Made in Sweden  
Fabriqué en Suède

Type IMBA 120 A3     ASEA Serial No.   
 Rules CSA C13-1958     En 138 kV     BIL 650 kV 60 Hz  
 OC 10 kA for 1 sec.     Inst. Book No. LTM A 4223  
 OC peak 25 kA  
 E1-E2 continuous-thermal-current rating factor 1.2

| E1 - E2<br>connected for | X1 - X2  | X1 - X3  | Y1 - Y2  | Y1 - Y3  | Z1 - Z2  | Z1 - Z3  |
|--------------------------|----------|----------|----------|----------|----------|----------|
| 100                      | 75/5     | 100/5    | 75/5     | 100/5    | 75/5     | 100/5    |
| 200                      | 150/5    | 200/5    | 150/5    | 200/5    | 150/5    | 200/5    |
| 400                      | 300/5    | 400/5    | 300/5    | 400/5    | 300/5    | 400/5    |
| Accuracy<br>rating       | 0.3 E-1  | 0.3 E-1  | 0.3 E-1  | 0.3 E-1  | 0.3 E-1  | 0.3 E-1  |
|                          | 0.6 E-2  | 0.6 E-2  | 0.6 E-2  | 0.6 E-2  | 0.6 E-2  | 0.6 E-2  |
|                          | 10 L 200 | 10 L 200 | 10 L 200 | 10 L 200 | 10 L 200 | 10 L 200 |



Detta handling är ej  
 kopierat. Den får ej  
 eftersejshörigen  
 beivras med sid ev  
 till ASEA

This document must not be  
 our written permission, or  
 thereof must not be imparted  
 nor be used for any unauthorized purpose.  
 Contravention will be prosecuted. ASEA