

TRADE AND COMMERCE
CANADA

SD-EA.80

STANDARDS DIVISION

OTTAWA, June 13, 1952.

MODIFICATION OF TYPE APPROVALSANGAMO TYPE "S-3" HORIZONTAL POLYPHASE METER


The modification to the apparatus specified and illustrated herein has been duly approved by the Standards Division under the provisions of The Electricity Inspection Act, Chapter 22, 1928, as amended, and the modified apparatus may be admitted to verification in Canada.

Apparatus Modified: Type "S-3" Horizontal Polyphase Watthour Meter, manufactured by the Sangamo Company Limited, Leaside, Toronto 17, Canada.

Rating of Apparatus: Approval covers all previously-approved capacities of the 2-element, self-contained, service type meter, as follows:- (Original Approval Circular NRG-13 of April 8, 1931)

Nominal Amperes	2 $\frac{1}{2}$, 5, 10, 15, 25, 50
Voltage	115, 230, 460, 575
Frequency	25 and 60 cycles
Elements	2

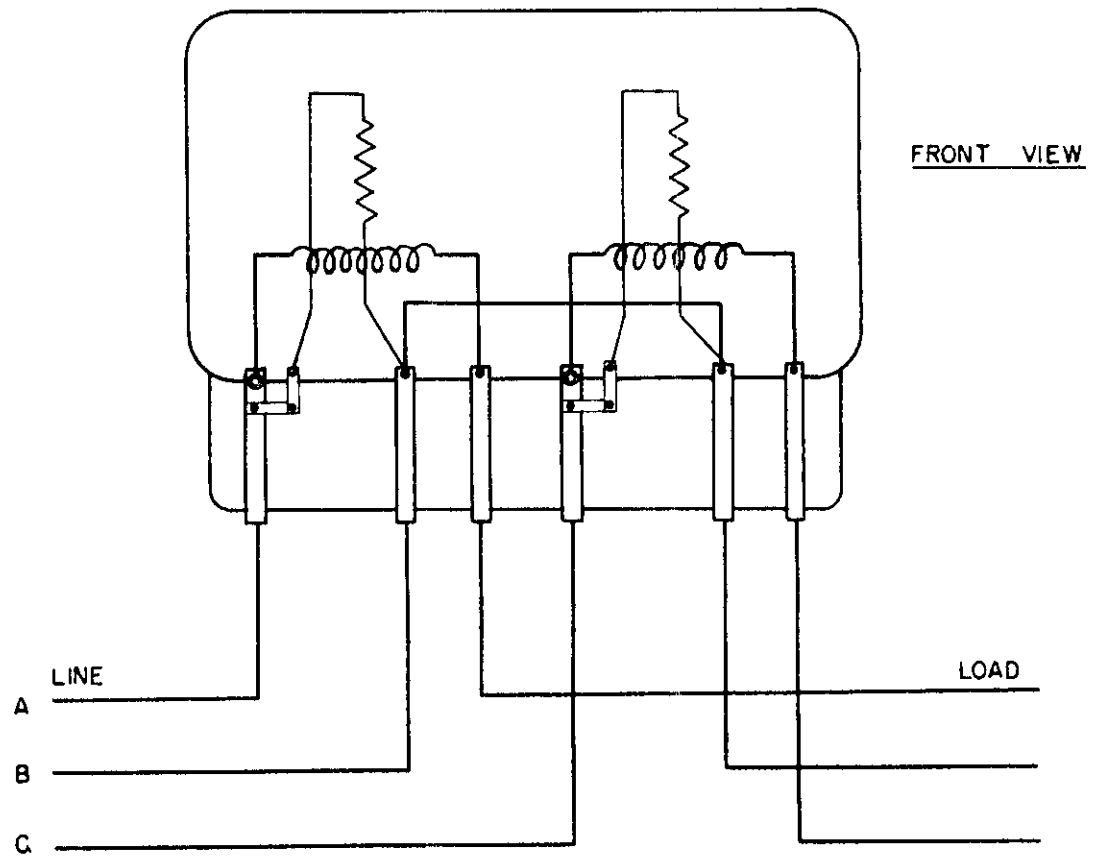
Description: The modification is intended to apply only to the 2-element self-contained, service type instrument. Formerly all such meters had 8 terminals and required an external connection between the two line current terminals and the corresponding potentials. This was considered inconvenient in many cases and, to avoid it, the manufacturer has substituted for terminals 2 and 6, two short potential terminals connected to the current terminals in the terminal chamber by movable links. Also terminals 3 and 7 have been bridged inside the meter by means of a solid connector. The meter thus becomes a 6-terminal meter.


R. W. MacLean,
Director,
Standards Division.

Ref: A-270



E. F. Power,
Assistant Director (E&G),
Standards Division.



CONNECTION DIAGRAM FOR S3 HORIZONTAL POLY. METER.
6 TERMINAL SELF-CONTAINED ON 3PHASE, 3 WIRE SERVICE